

Watch Movement Specification and Drawing

STANDARD

Cal. Y121E

Movement Size

6 3/4 × 8'''

Casing Diameter

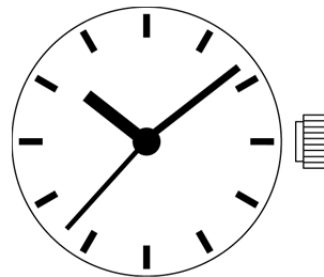
15.3 × 17.8 mm

Height

2.99mm

Battery Life

2 years



Date: 7/Apr./'17

Cal. Y121E

Items	Rev.	Page
Specifications	03	1
Appearance	10	2
Casing	07	3
Hand fitting	11	4
Hand setting stem	05	5
Dial	03	6
Casing ring	02	7

Analog Quartz 6 3/4 × 8''' Standard Series Movement / Three Hands (H/M/S)**1. MOVEMENT DIMENSIONS**

Outside diameter	15.30mm(3-9H) × 18.20mm(12-6H)
Casing diameter	15.30mm(3-9H) × 17.80mm(12-6H)
Total height	2.99mm

2. TIME STANDARD

Type of quartz oscillator	Tuning fork
Frequency of quartz oscillator	32,768 Hz
Accuracy	±20 seconds per month (on wrist)
Operating temperature range	−5°C to +50°C
Regulation device	Nil (Pre-adjusted)

3. INDICATOR / FUNCTIONS

3 Hands	Hour / Minute / Second
Reset switch	
Setting mechanism	Crown at normal position : Free Crown pulled out 1st click : Time setting / Reset

4. FEATURES

Jewels	0 Jewels
Anti-magnetism	Over 1600A/m (Direct current magnetic field)
Maximum unbalance of hands	Second hand : 0.06 μ N·m Minute hand : 0.6 μ N·m Hour hand : 0.5 μ N·m

5. BATTERY

Type / Size	Silver oxide battery / φ 6.8mm × t 2.6mm
Recommended battery	SR626SW (Maxell, Sony, Seizaiken)
Nominal voltage	1.55 V
Battery life	Approx. 2 years
Driving current consumption	Approx. 1.5 μ A
Operation stopping voltage	1.1 V

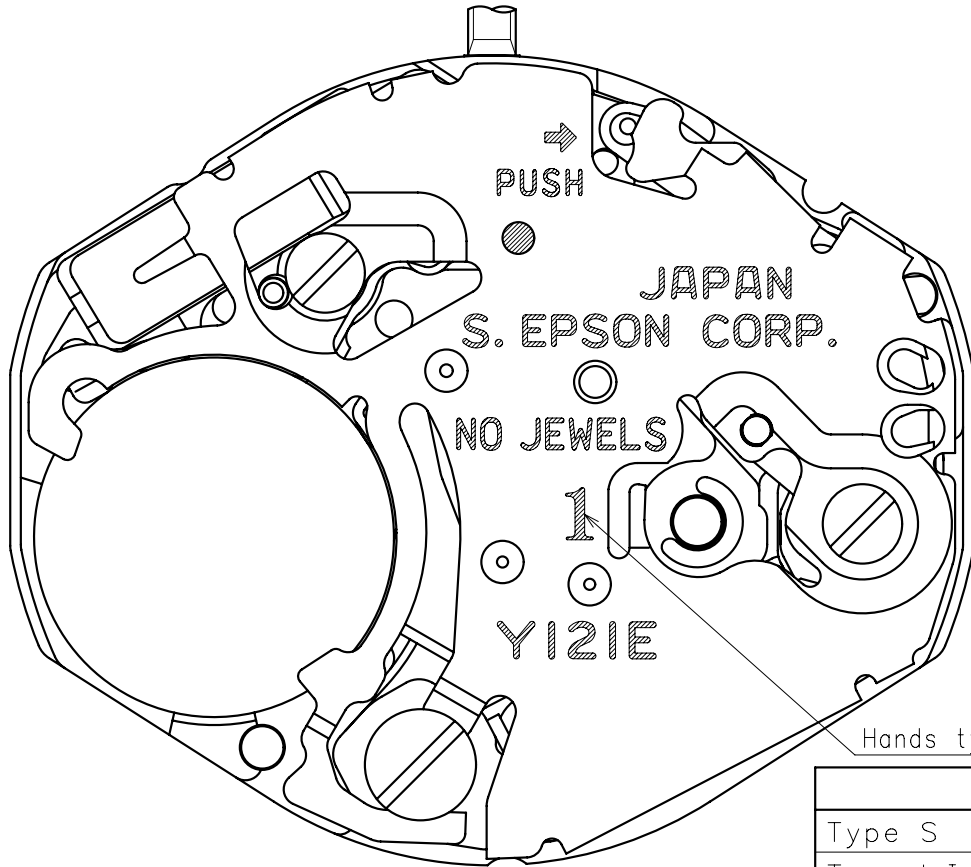
6. SEPARATED PARTS (Parts code)

Hand setting stem	0354788 or 0354787
Battery	SR626SW

7. TEST OF ACCURACY

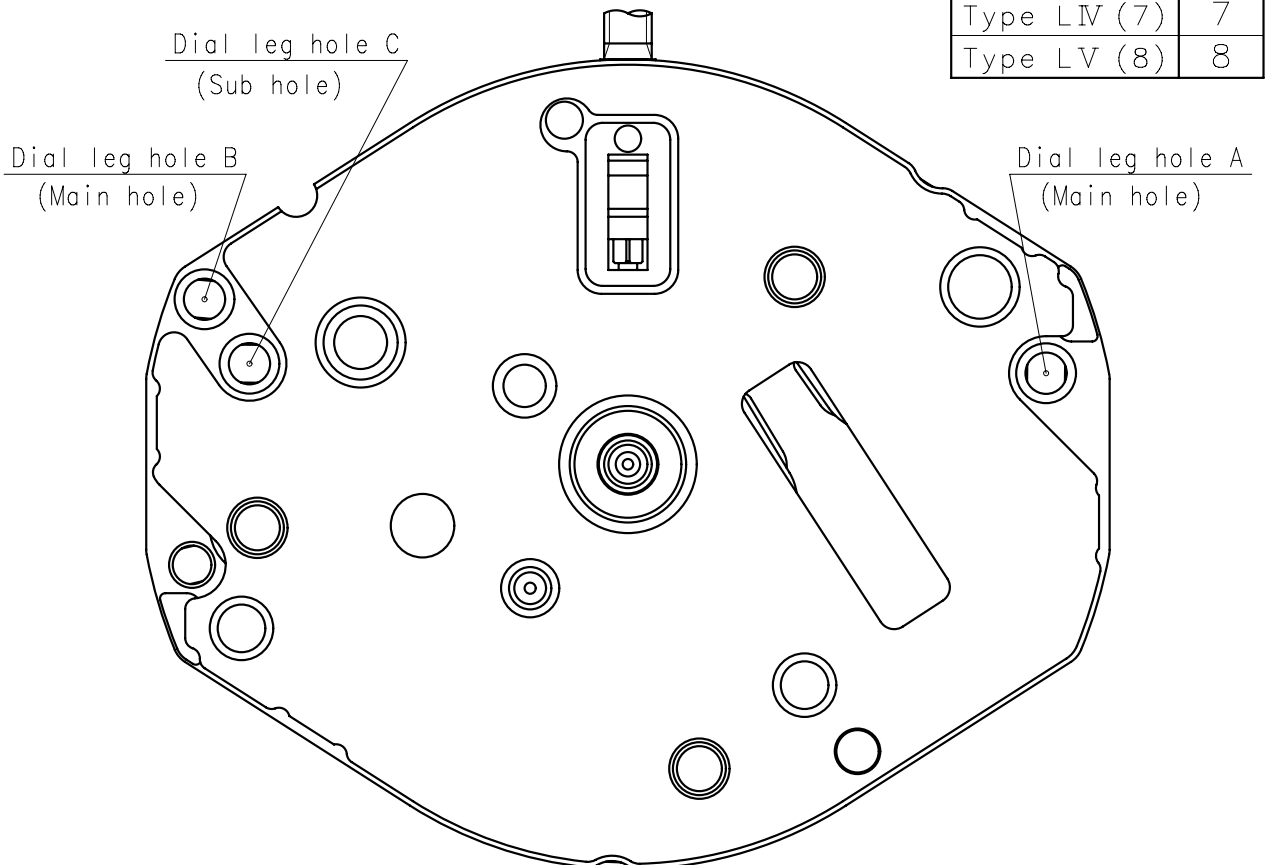
Equipment to be used	SEIKO quartz tester QT-99, Greiner quartz timer-C , Witschi Q-tester 4000
Duration of measurement	10 seconds
Microphone to be used	Electromagnetic detection type

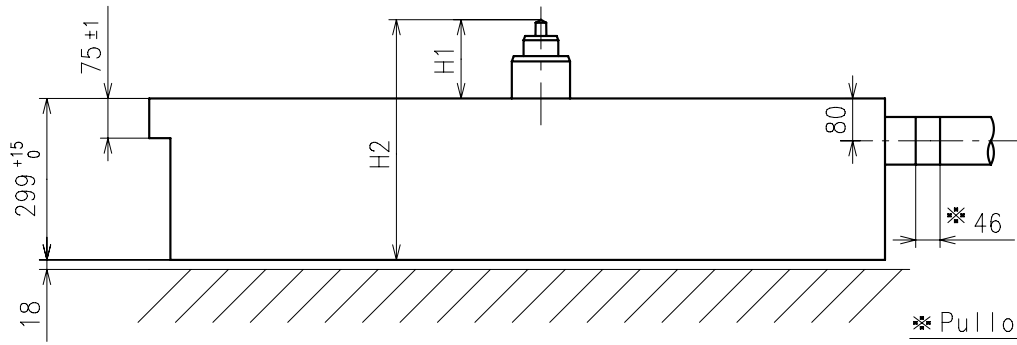
All specifications are subject to change without notice.



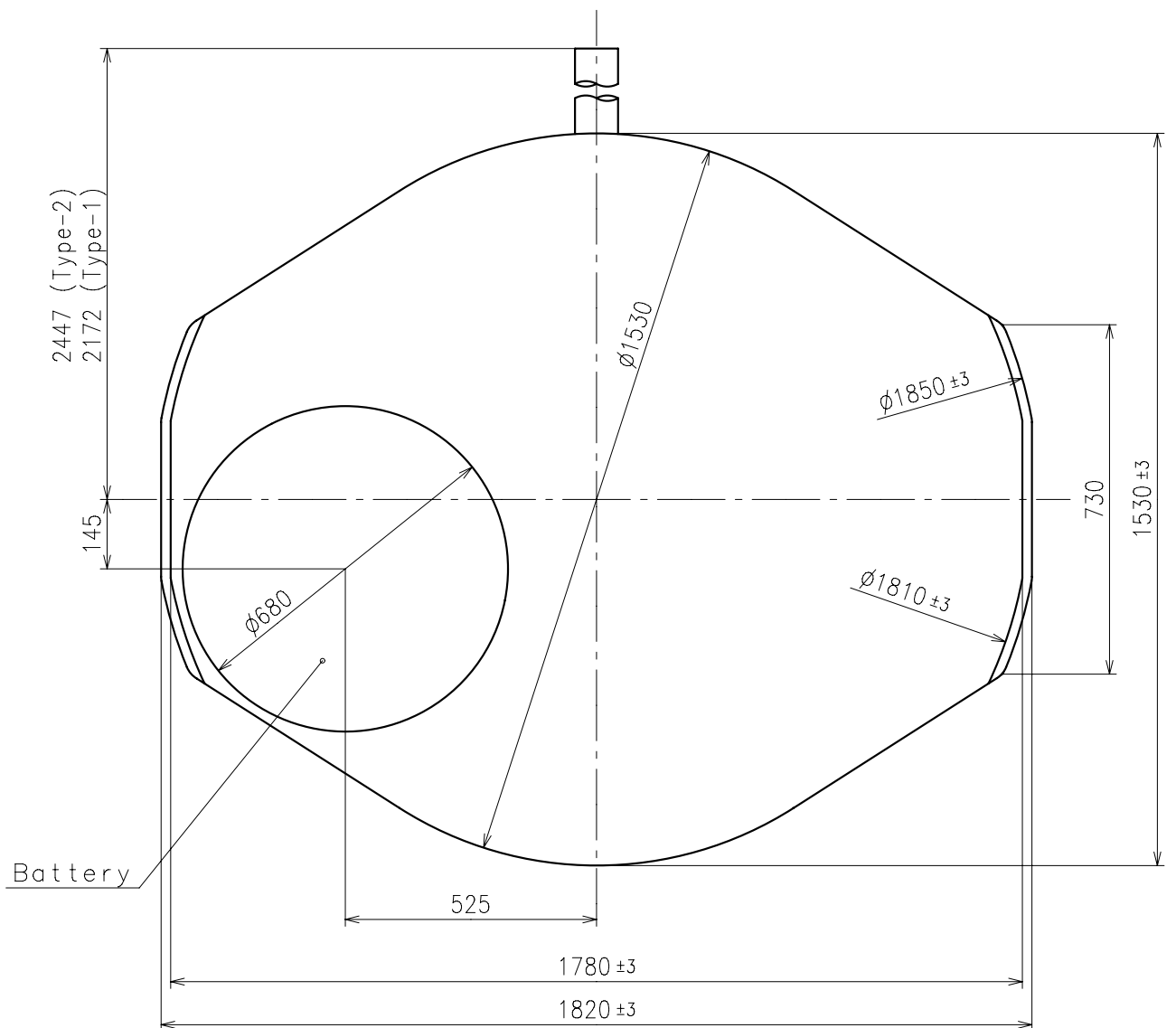
Hands type

	Mark
Type S (1)	1
Type LI (3)	3
Type LII (4)	4
Type LIII (6)	6
Type LIV (7)	7
Type LV (8)	8

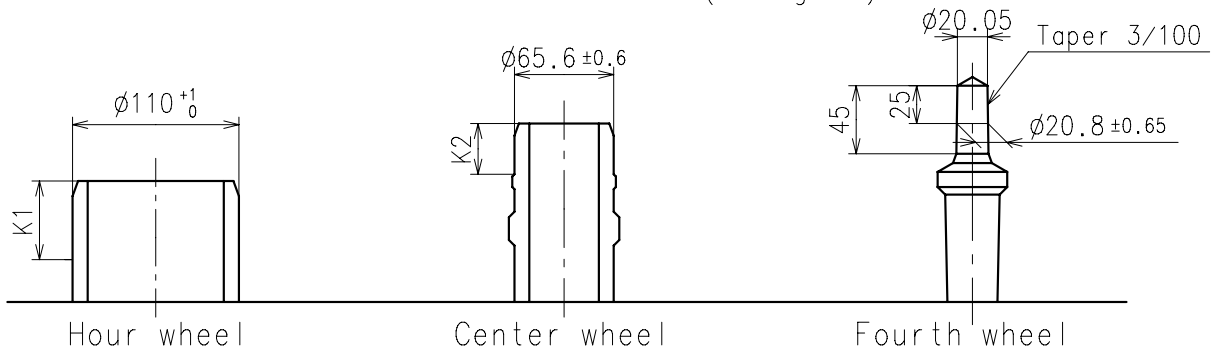




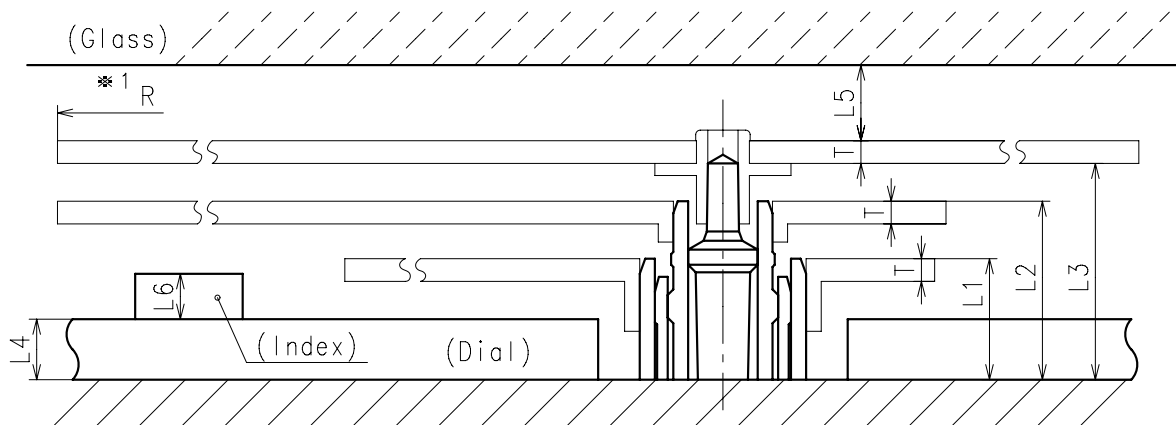
Center post		Type S (1) Y121E1 Y121ER	Type L I (3) Y121E3	Type L II (4) Y121E2	Type L III (6) Y121E5	Type L IV (7) Y121E4	Type L V (8) Y121E6
Maximum height from dial support	H1	143	191	251	309	371	403
Total height including movement	H2	442	490	550	608	670	702



- * Second hand unbalance $\leq 0.06\mu \text{ N}\cdot\text{m}$ ($6\mu \text{ g}\cdot\text{m}$)
- * Minute hand unbalance $\leq 0.6\mu \text{ N}\cdot\text{m}$ ($60\mu \text{ g}\cdot\text{m}$)
- * Hour hand unbalance $\leq 0.5\mu \text{ N}\cdot\text{m}$ ($50\mu \text{ g}\cdot\text{m}$)

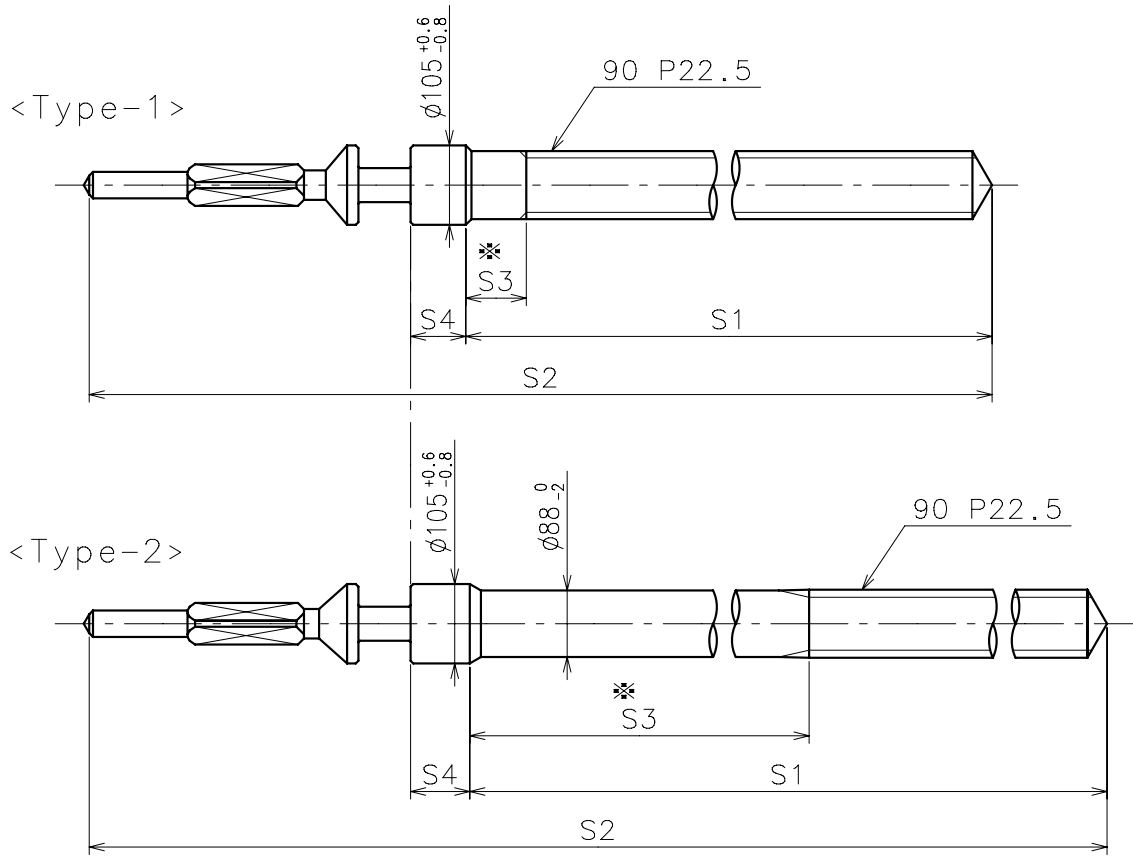


	Parts No.			Dimension	
	Hour wheel	Center wheel	Fourth wheel	K1	K2
Type S (1) Y121E1/Y121ER	0271796	0221797	0241798	52	33.5
Type LI (3) Y121E3	0271764	0221764	0241764	60	33.5
Type LII (4) Y121E2	0271797	0221779	0241777	60	33.5
Type LIII (6) Y121E5	0271775	0221766	0241757	60	33.5
Type LIV (7) Y121E4	0271756	0221765	0241756	60	33.5
Type LV (8) Y121E6	0271778	0221767	0241758	60	33.5



	L1	L2	L3	L4	L5	L6	T	*1 R
Type S (1) Y121E1/Y121ER	80	118	143	40	MIN: 50	MAX: 30	15	MAX: 1250
Type LI (3) Y121E3	128	166	191	MAX: 90	MIN: 50	MAX: 30	15	MAX: 1250
Type LII (4) Y121E2	185	226	251	MAX: 150	MIN: 50	MAX: 30	15	MAX: 1250
Type LIII (6) Y121E5	235	281	309	MAX: 200	MIN: 50	MAX: 35	15	MAX: 1250
Type LIV (7) Y121E4	297	343	371	MAX: 250	MIN: 50	MAX: 45	15	MAX: 1250
Type LV (8) Y121E6	329	375	403	MAX: 280	MIN: 50	MAX: 45	15	MAX: 1250

*1: It is the size taken into consideration for hands attachment.
Please observe some standard value specified in unbalance when using long hands.

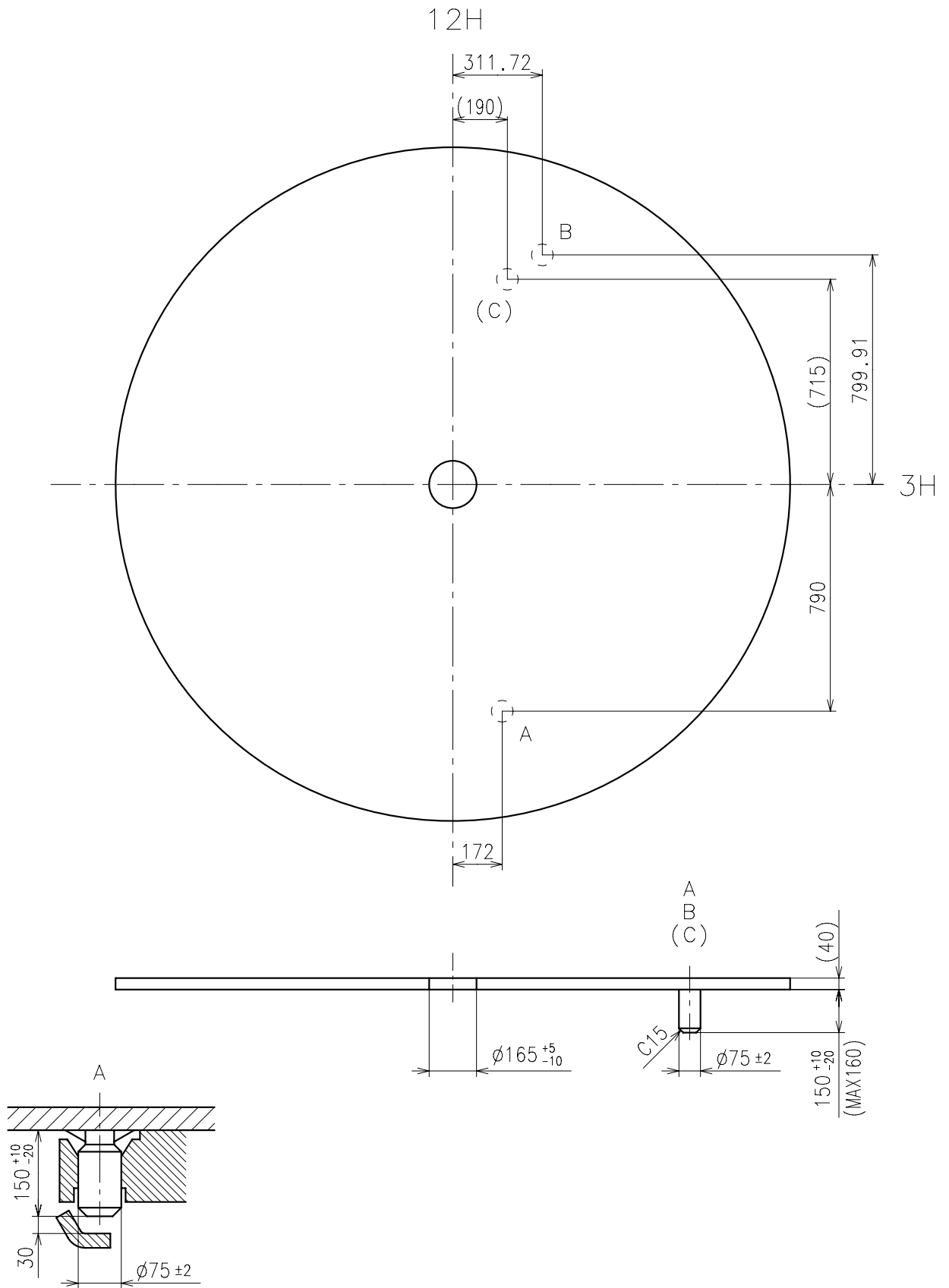


* Not threaded

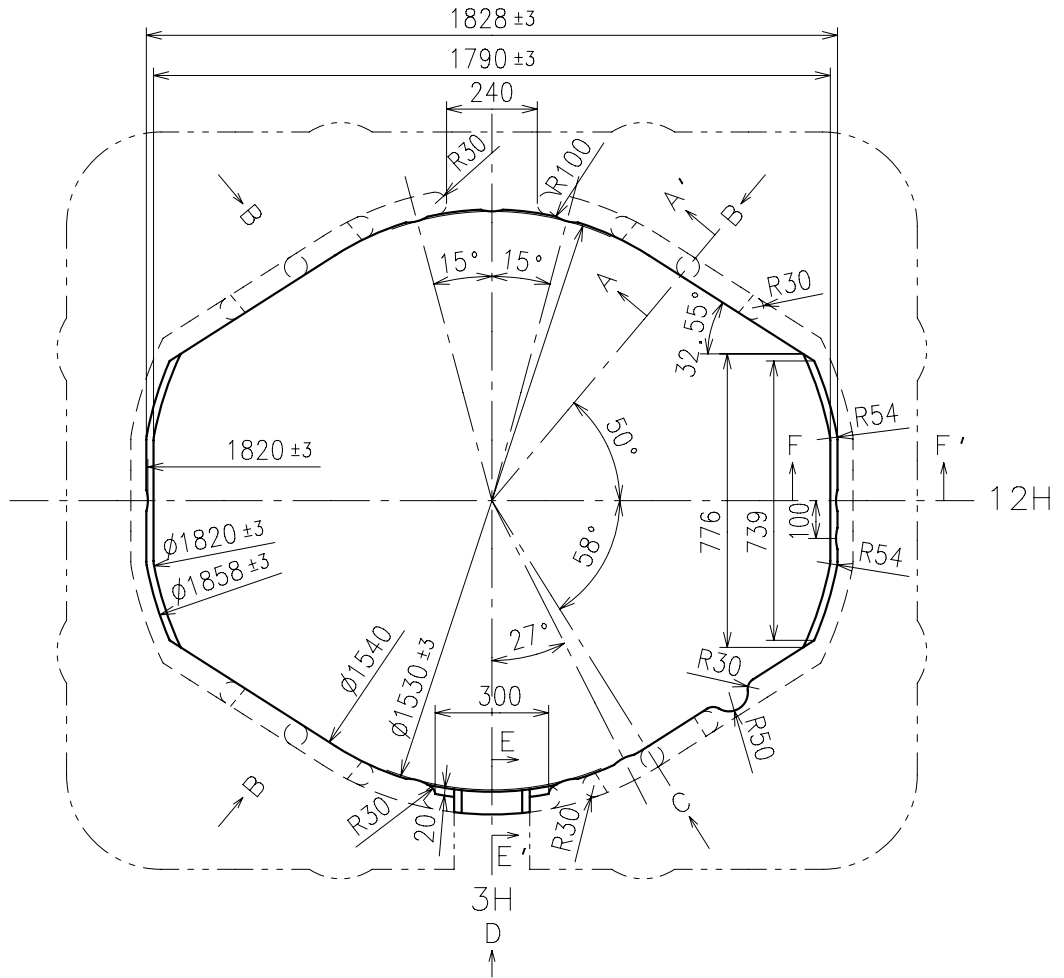
	Part No.	S1	S2	* S3	S4
Type-1 (Standard)	0354788	1473	1971	80	73
Type-2	0354787	1743	2246	887	78

Material : Steel

Hardness : Vickers 530±50



Use dial leg A-B(Main) or A-C(Sub)

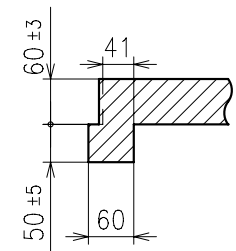
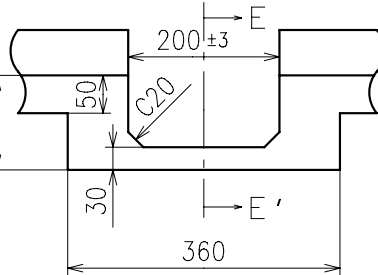
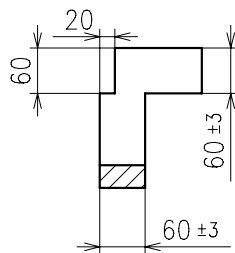
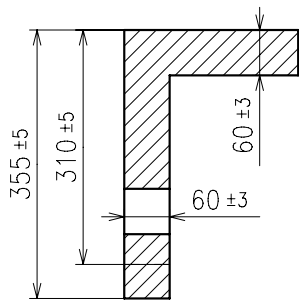


A-A' section

E-E' section

D view

F-F' section



B view

C view

