

Watch Movement Specification and Drawing

MULTI - FUNCTION

Cal. VX36E

Movement Size

10 1/2'''

Casing Diameter

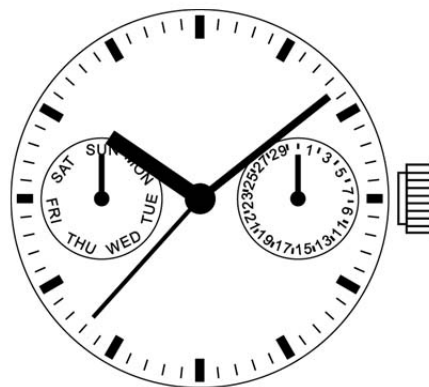
Ø 23.3mm

Height

3.05mm

Battery Life

3 years



Date: 6/Dec./16

Cal. VX36E

Items	Rev.	Page
Specifications	02	1
Appearance	01	2
Casing	01	3
Hand fitting	02	4
Hand setting stem	01	5
Dial	01	6
Casing ring	01	7
Operation	00	8

**Analog Quartz 10 1/2" Slim Movement / 3 hands (H/M/S) and 2 eyes
with Day / Date indicators**

1. MOVEMENT DIMENSIONS

Outside diameter	$\phi 24.00\text{mm} \times 21.50\text{mm}(3\text{-}9\text{H}) \times 21.50\text{mm}(12\text{-}6\text{H})$
Casing diameter	$\phi 23.30\text{mm} \times 21.30\text{mm}(3\text{-}9\text{H}) \times 21.50\text{mm}(12\text{-}6\text{H})$
Total height	3.05mm (including battery)

2. TIME STANDARD

Type of quartz oscillator	Tuning fork
Frequency of quartz oscillator	32,768 Hz
Accuracy	± 20 seconds per month (on wrist)
Operating temperature range	-5°C to $+50^{\circ}\text{C}$
Regulation device	Nil (Pre-adjusted)

3. INDICATOR / FUNCTIONS

3 Hands	Hour / Minute / Second
2 Small hands	Day (9H) / Date (3H)
Reset switch	
Setting mechanism	Crown at normal position : Free
	Crown pulled out 1st click : Instant date change
	Crown pulled out 2nd click : Time setting (Day change) / Reset

4. FEATURES

Jewels	0 Jewels
Anti-magnetism	Over 1600A/m (Direct current magnetic field)
Maximum unbalance of hands	Second hand : $0.07 \mu \text{N}\cdot\text{m}$
	Minute hand : $0.65 \mu \text{N}\cdot\text{m}$
	Hour hand : $0.5 \mu \text{N}\cdot\text{m}$

5. BATTERY

Type / Size	Silver oxide battery / $\phi 9.5\text{mm} \times t 2.0\text{mm}$
Recommended battery	SR920SW (Maxell, Sony, Seizaiken)
Nominal voltage	1.55 V
Battery life	Approx. 3 years
Driving current consumption	Approx. $1.6 \mu \text{A}$
Operation stopping voltage	1.1 V

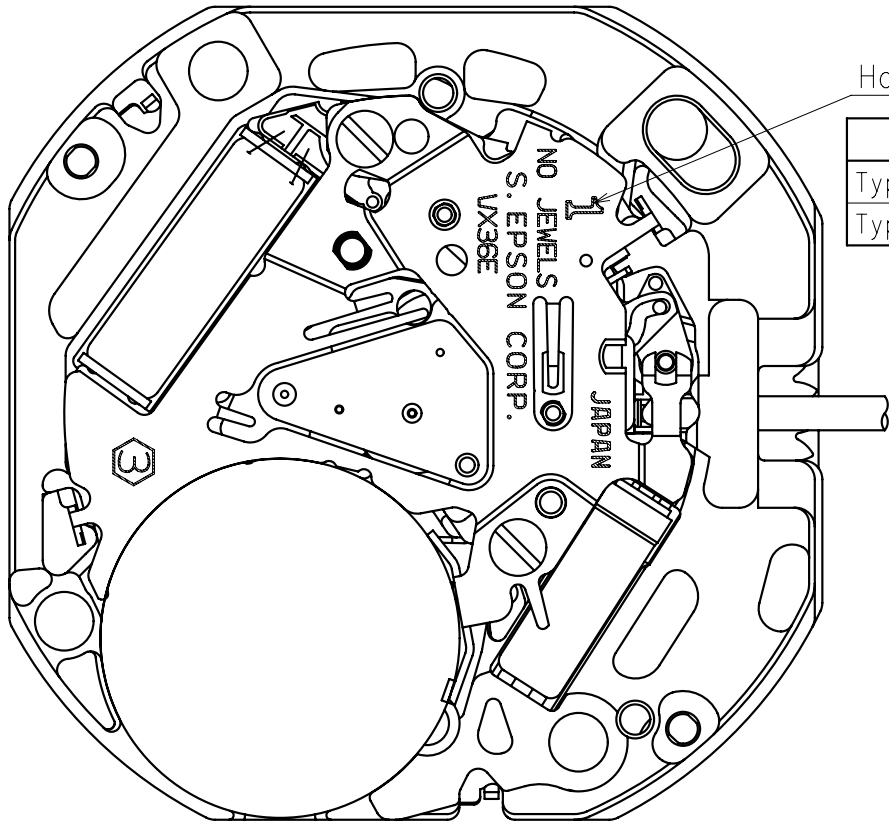
6. SEPARATED PARTS (Parts code)

Hand setting stem	0351177 or 0351578
Battery	SR920SW

7. TEST OF ACCURACY

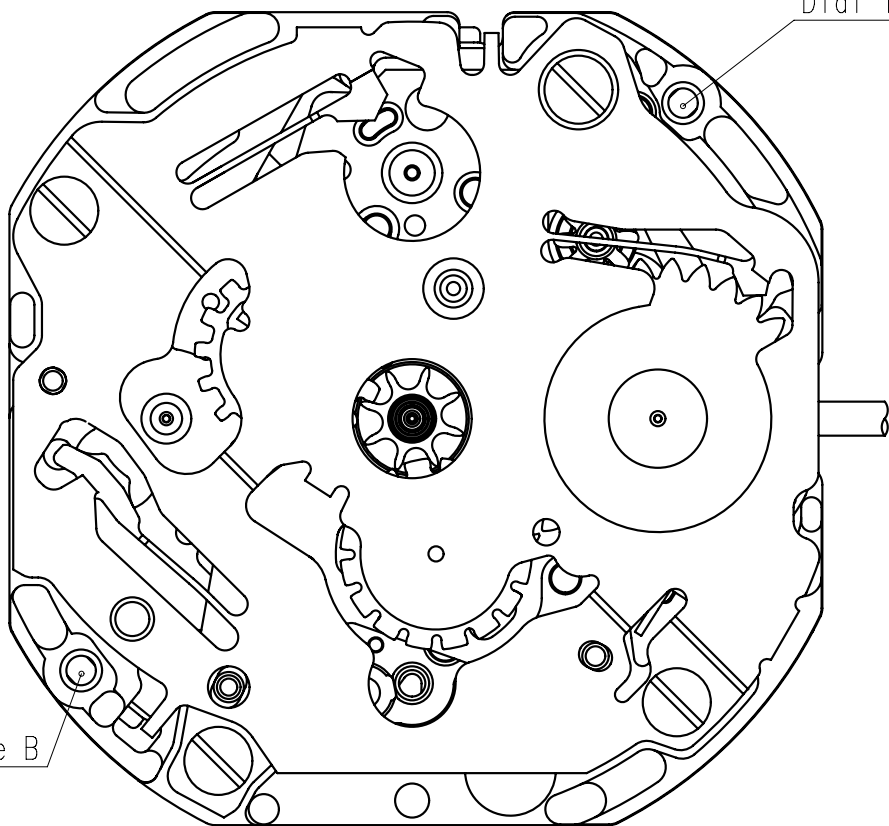
Equipment to be used	SEIKO quartz tester QT-99, Greiner quartz timer-C , Witschi Q-tester 4000
Duration of measurement	10 seconds
Microphone to be used	Electromagnetic detection type

All specifications are subject to change without notice.



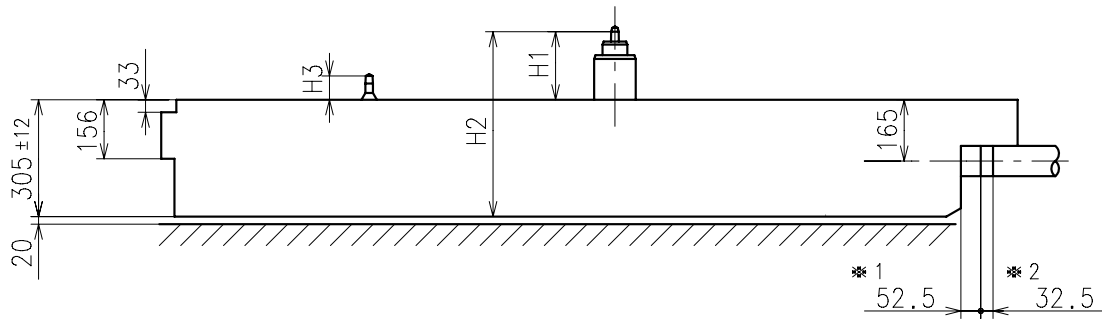
Hands type

	Mark
Type S (1)	1
Type L (3)	3



Dial leg hole A

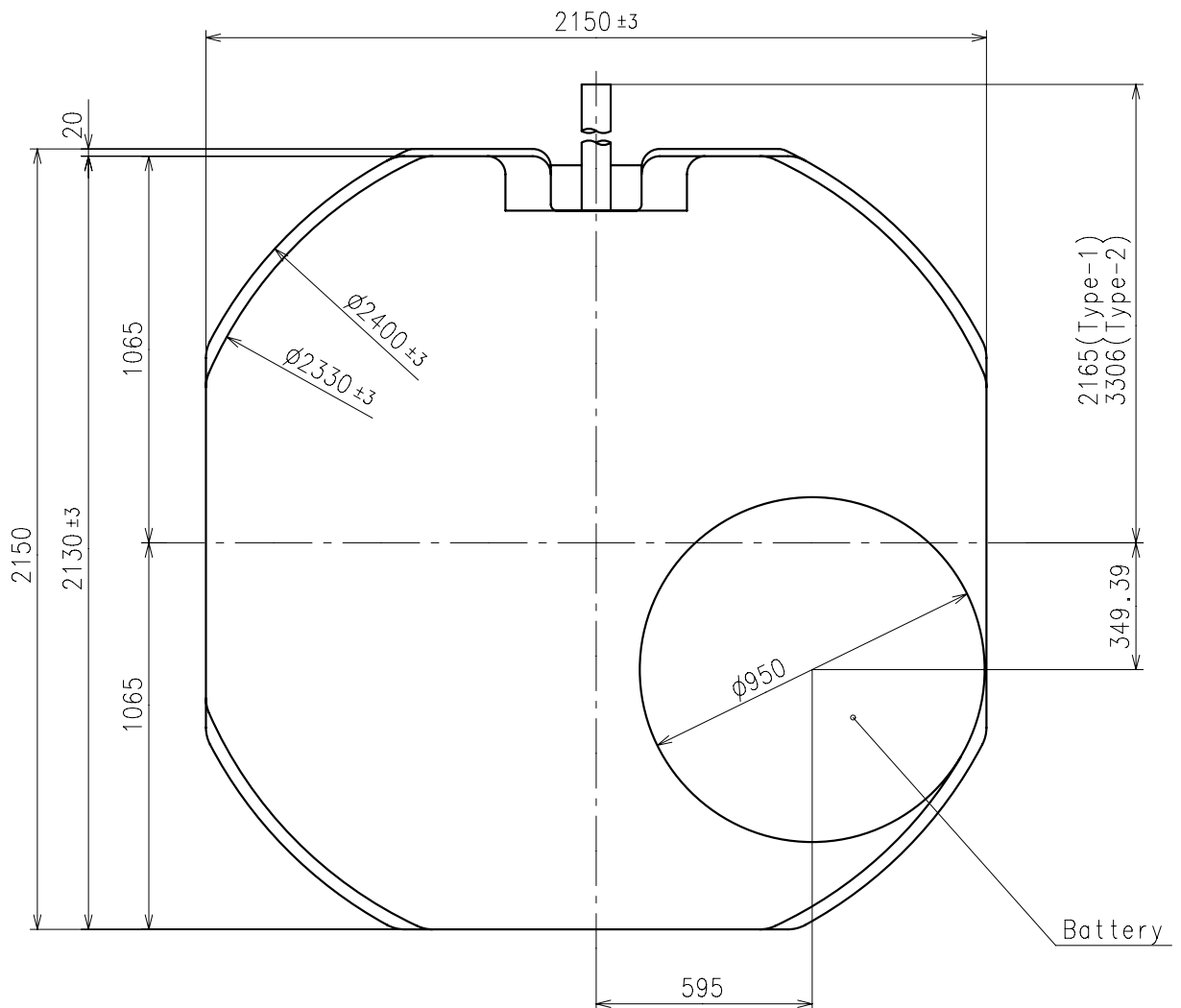
Dial leg hole B



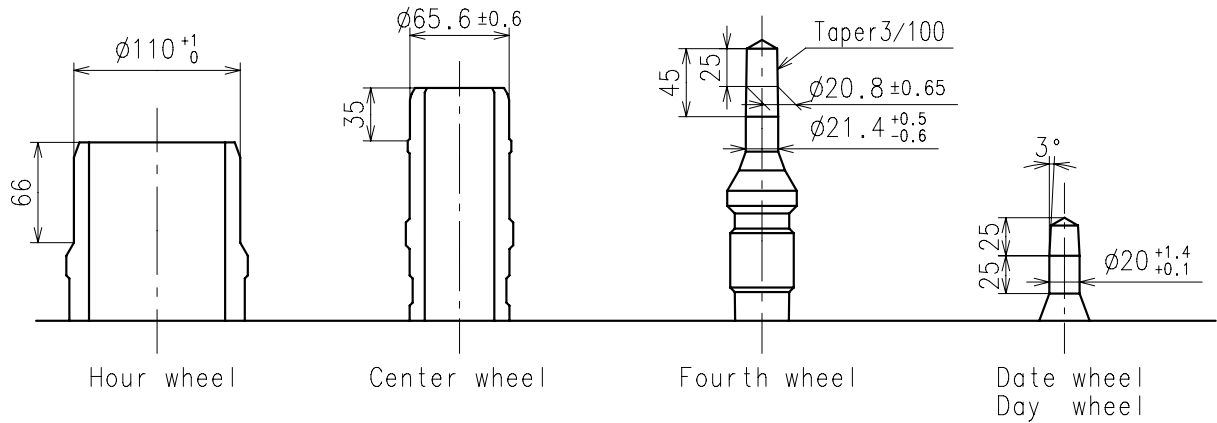
Center post		Type S (1) VX36E1	Type L (3) VX36E2
Maximum height from dial support	H1	180	242
Total height including movement	H2	485	547
Maximum height from dial support	H3	63	111

*1:First pullout stroke

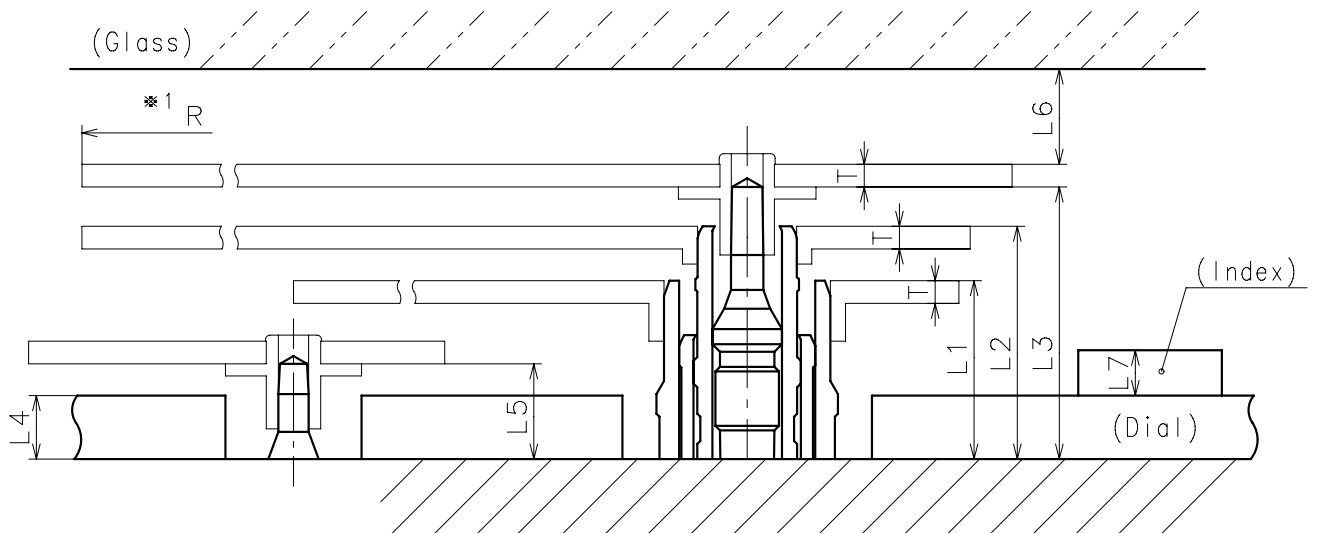
*2:Second pullout stroke



- * Hour hand unbalance $\leq 0.5\mu\text{ N}\cdot\text{m}$ ($50\mu\text{ g}\cdot\text{m}$)
- * Minute hand unbalance $\leq 0.65\mu\text{ N}\cdot\text{m}$ ($65\mu\text{ g}\cdot\text{m}$)
- * Second hand unbalance $\leq 0.07\mu\text{ N}\cdot\text{m}$ ($7\mu\text{ g}\cdot\text{m}$)

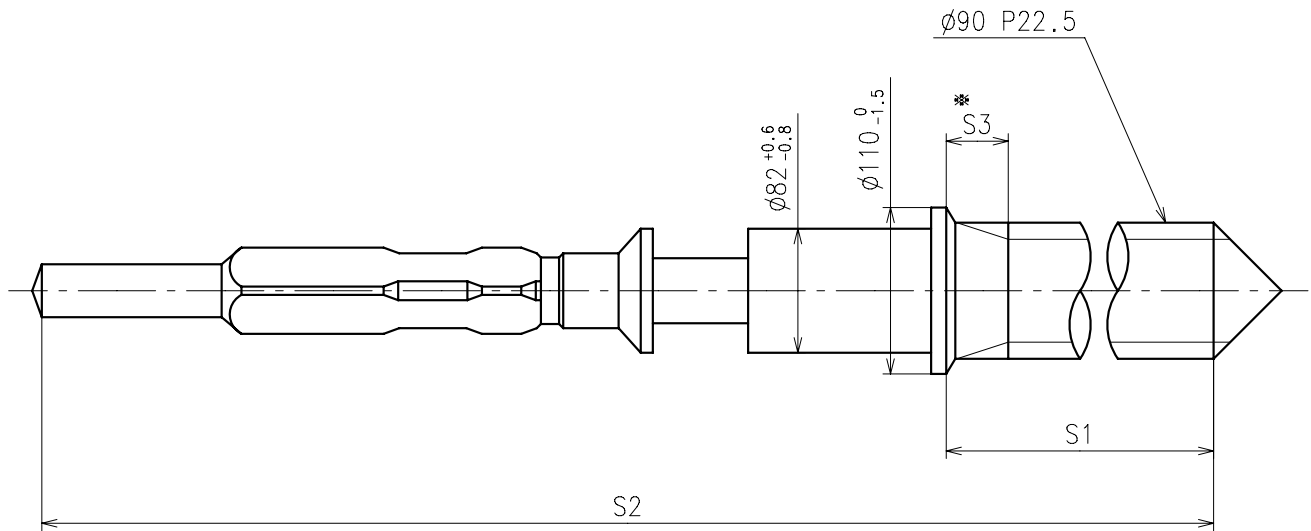


	Parts No.				
	Hour wheel	Center wheel	Fourth wheel	Date wheel	Day wheel
Type S (1) VX36E1	0271563	0221575	0241528	0970538	1002546
Type L (3) VX36E2	0271949	0221588	0241559	0970502	1002547



	L1	L2	L3	L4	L5	L6	L7	T	*1 R
Type S (1) VX36E1	118	154	180	40	63	MIN: 50	MAX: 30	15	MAX: 1250
Type L (3) VX36E2	171	214	242	90	111	MIN: 50	MAX: 30	15	MAX: 1250

*1: It is the size taken into consideration for hands attachment.
Please observe some standard value specified in unbalance when using long hands.

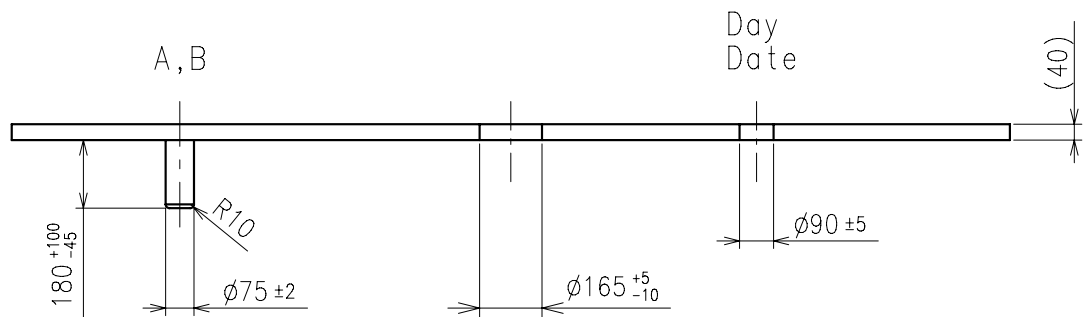
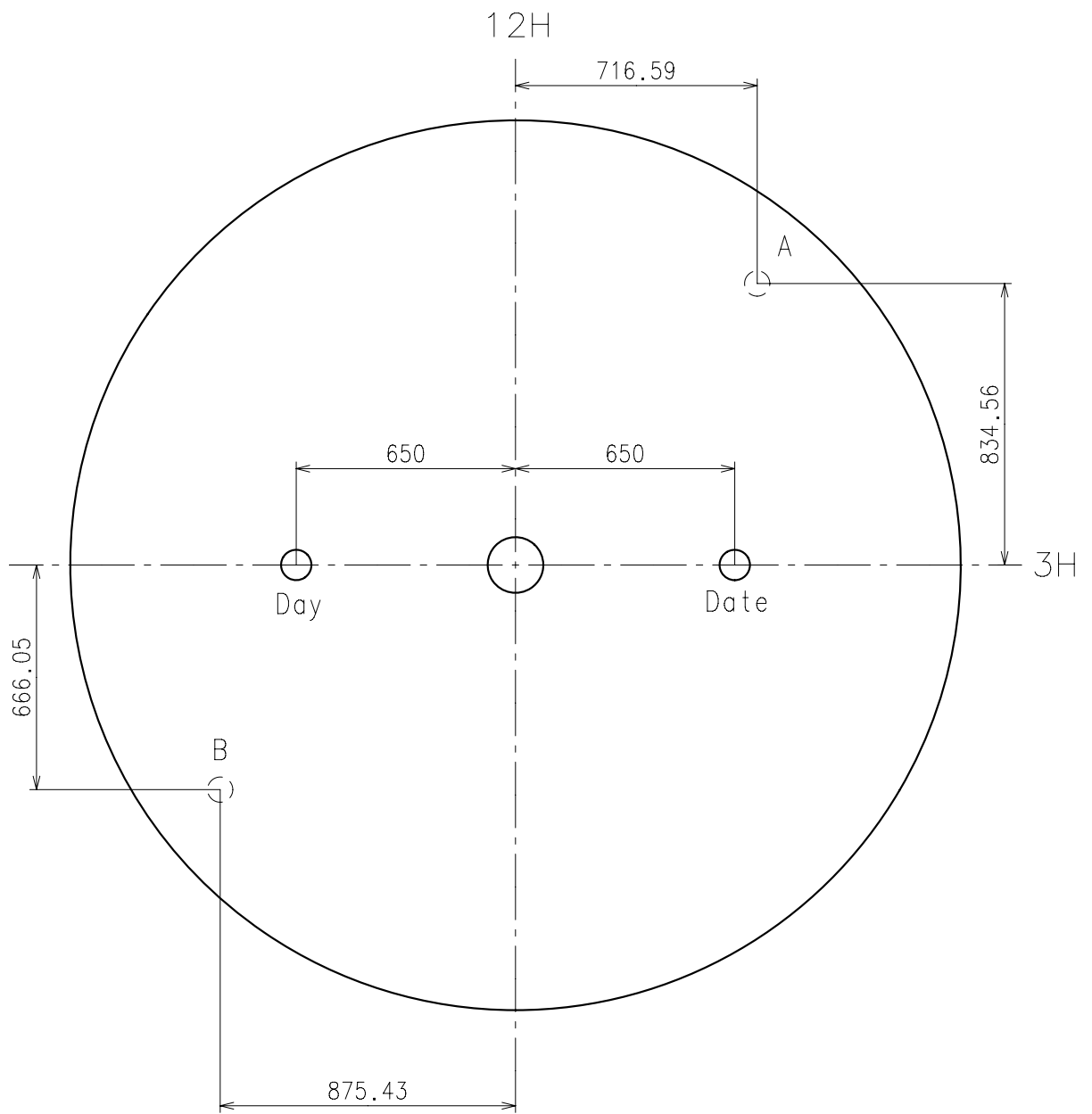


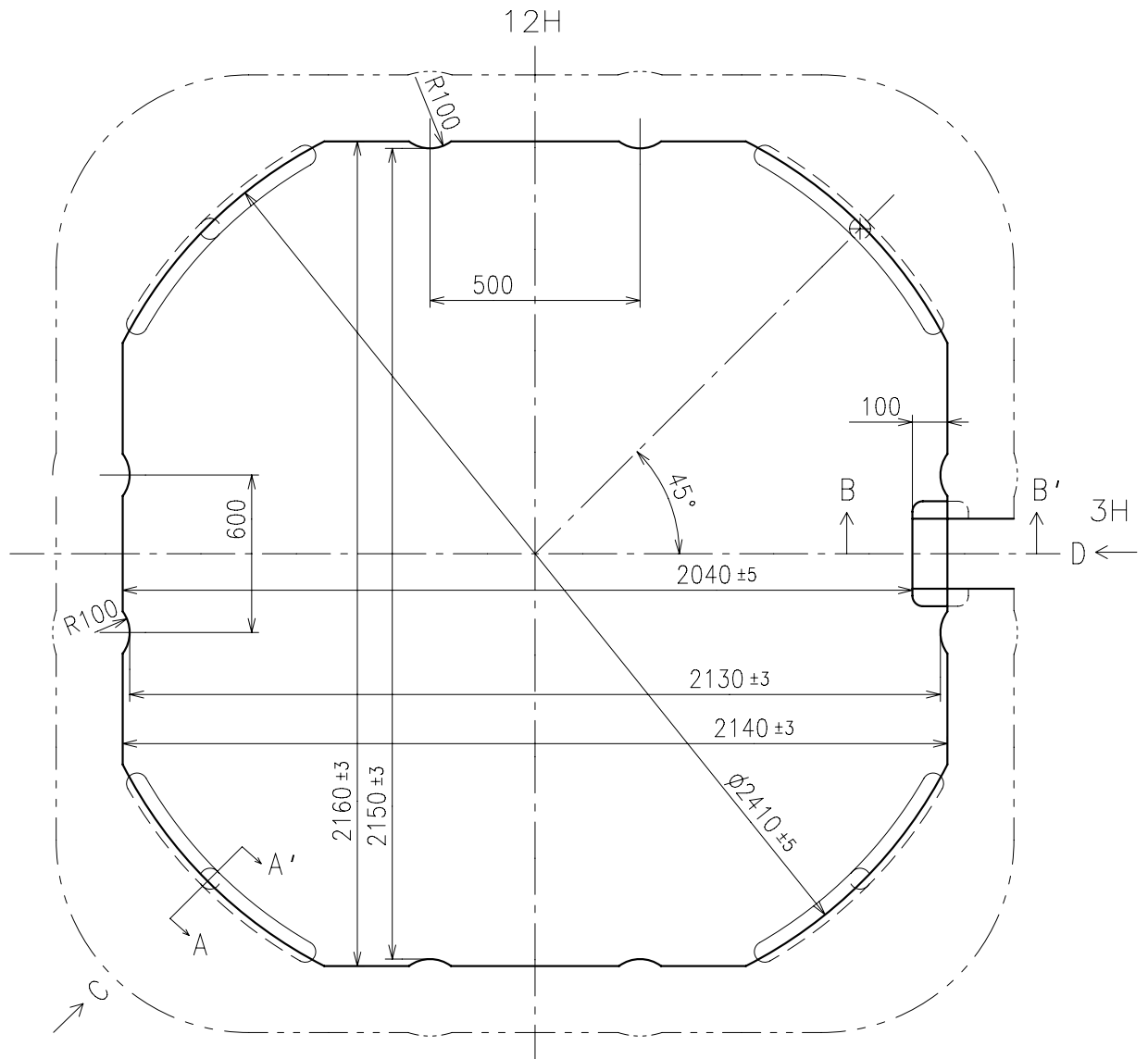
※ Not threaded

	Part No.	S1	S2	※ S3
Type-1 (Standard)	0351177	1366	1964	60
Type-2	0351578	2507	3105	650

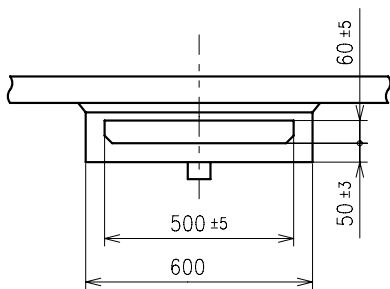
Material : Steel

Hardness : Vickers 600±50

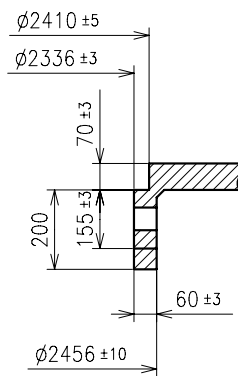




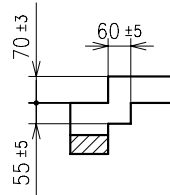
C view



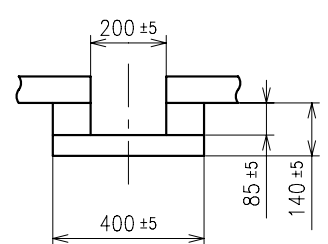
A-A' section

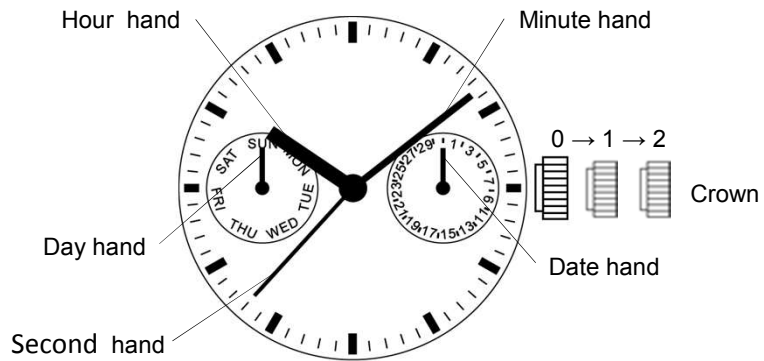


B-B' section



D view





		Crown position		
		0 click	1st click	2nd click
Crown	Free		Turn counterclockwise for date change	Time setting (Day change)