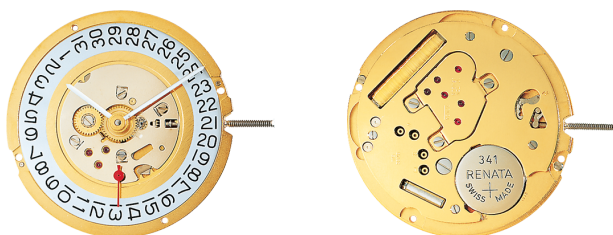


RONDA slimtech 1000

Extra small and slim movements
for exclusive styles

Caliber 1019 – 11½'''



Product Specifications

Analog quartz movement	
Line	slimtech
Caliber	1019
Size	11½'''
Version	Swiss Made
	10 Jewels / gold plated
Standard battery life	25 months
High battery life	40 months
Hand fitting height	1

Features

- Repairable metal watch movement
- Power saving mechanism with pulled out stem: Reduction of consumption approximately 70%
- Complete interchangeability between 1002-1009, 1012-1019

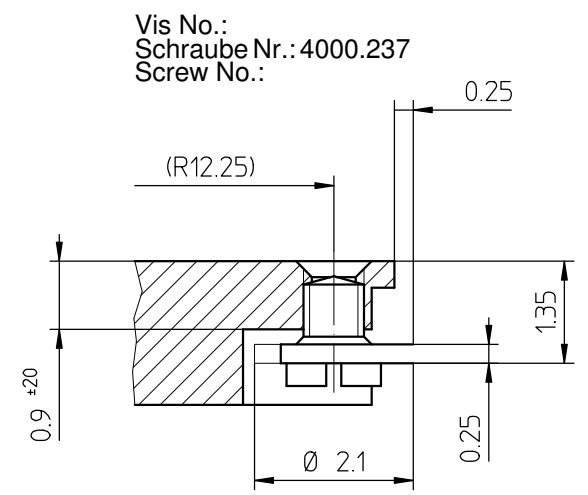
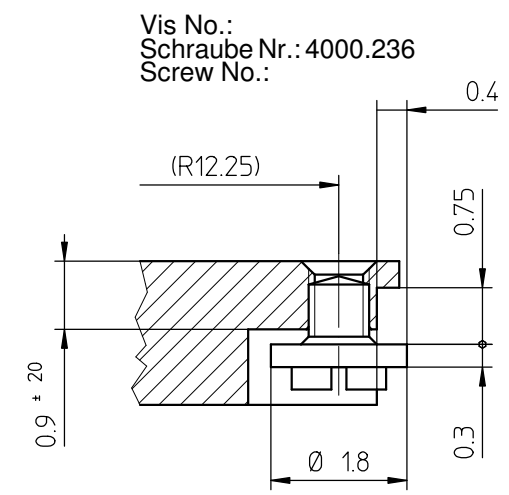
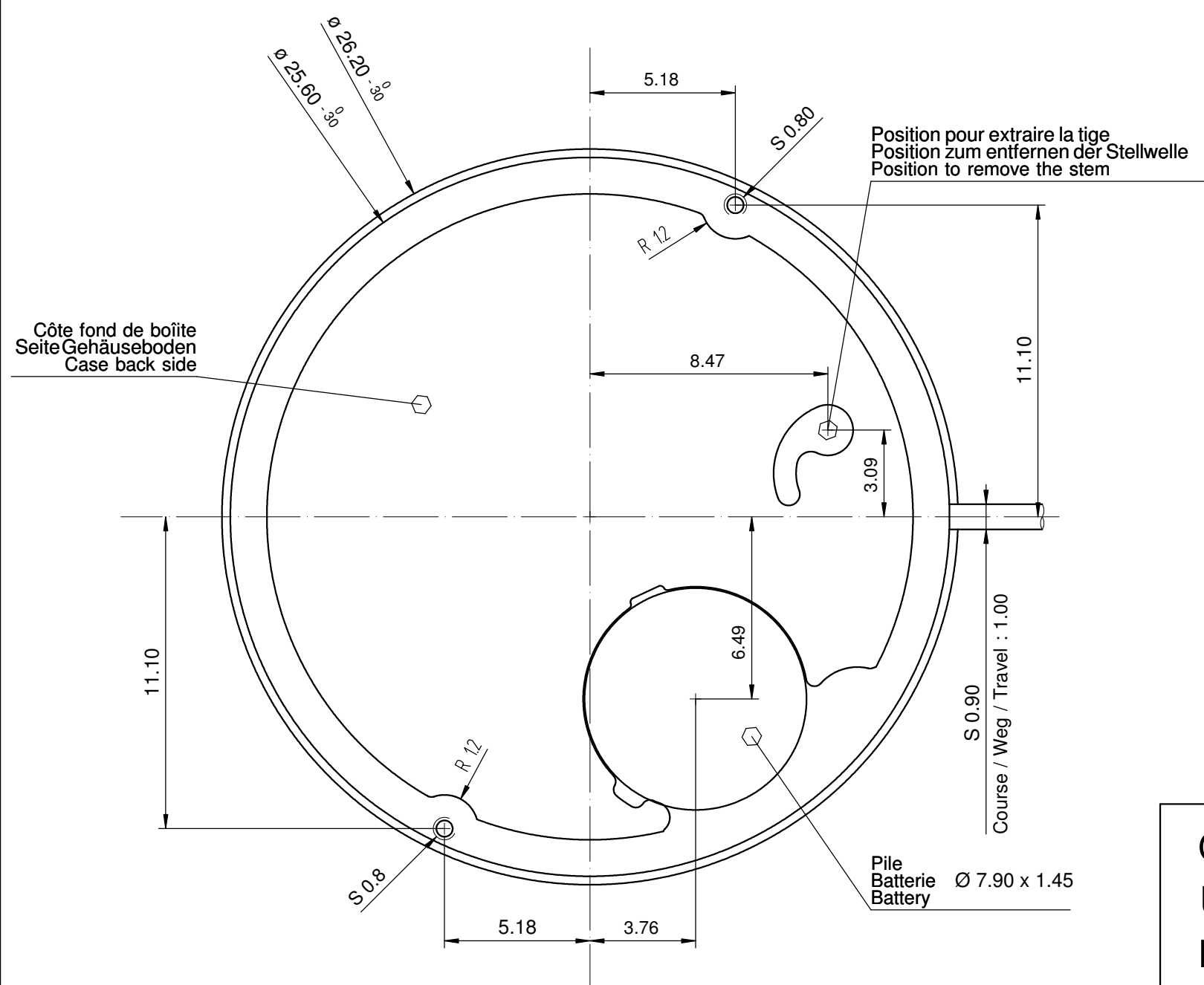
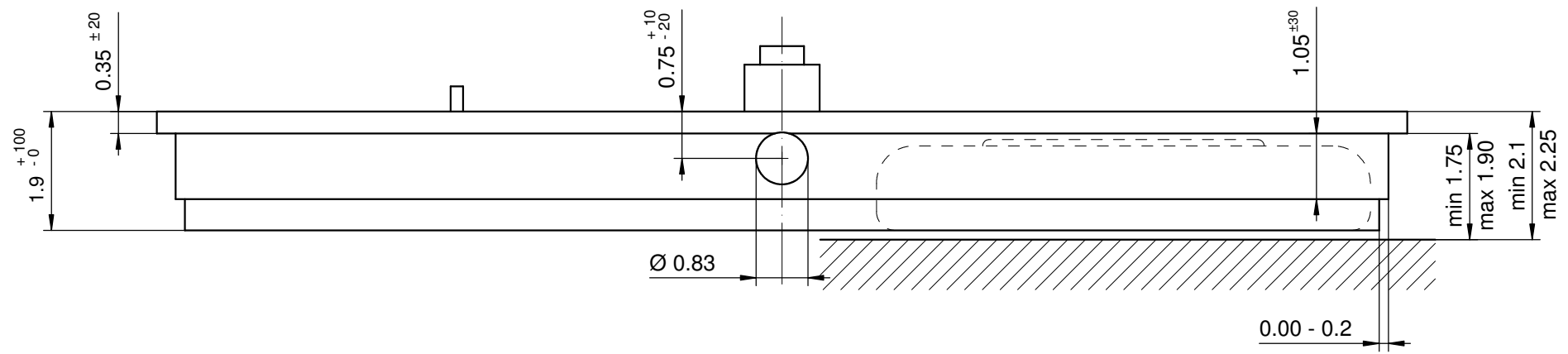
Functions

- Date
- Small second
- 2 hands

Technical Specifications

Diameter Total	26.00 mm
Case fitting	25.60 mm
Movement height	1.90 mm
Height over standard battery	1.90 mm
Height over high battery	2.15 mm
Movement rest	0.35 mm
Height over stem	0.75 mm
Length of stem travel	1.00 mm
Force to push the stem for screwed crown	N
Stem thread	0.90 mm
Standard battery	341
High battery	315
Standard battery life	25 months
High battery life	40 months
Battery voltage	1.5 V
Current consumption – typical	0.74 μ A (Date Mechanism not in Gear)
Current consumption – maximum	1.1 μ A (Date Mechanism not in Gear)
Useful torque second – typical	4 μ Nm
Useful torque minute – typical	200 μ Nm
Operating temperature	0 - 50 °C
Instantaneous rate	-10/ +20 sec/month
Resistance to magnetic fields	18.8 Oe

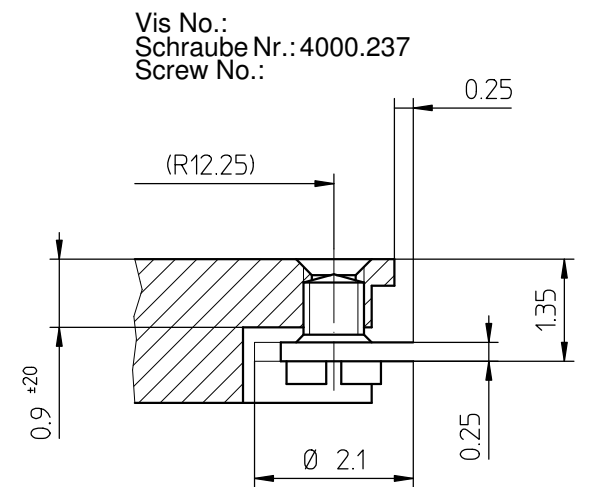
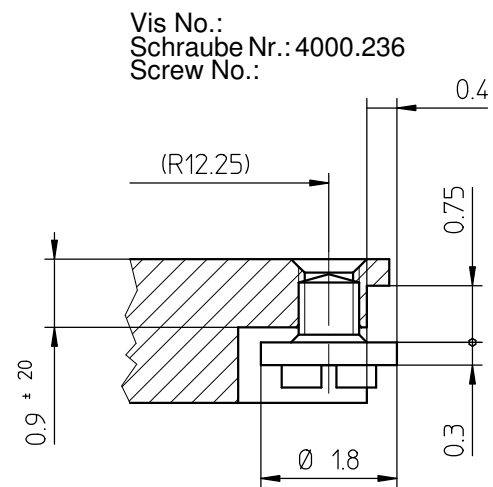
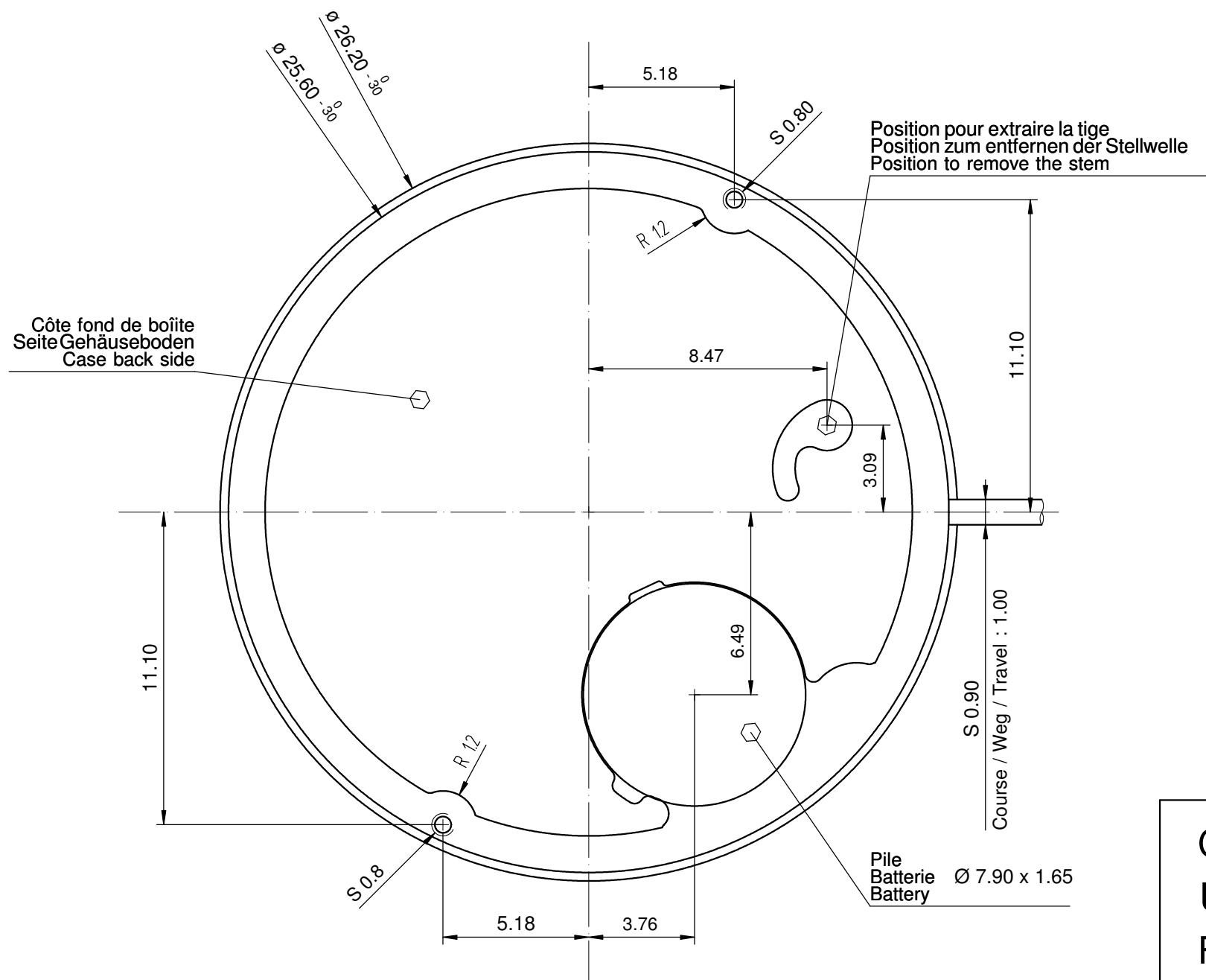
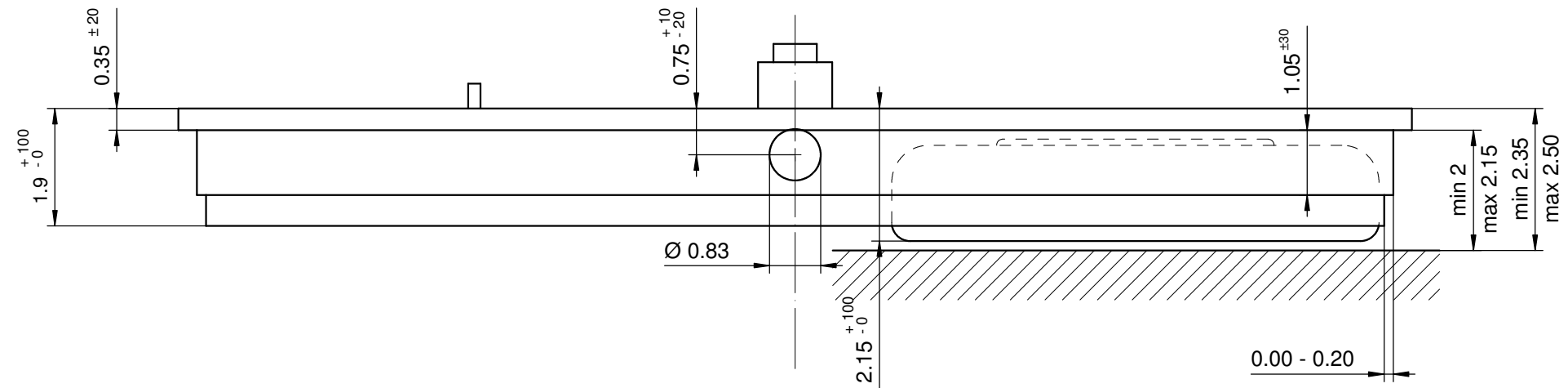




Sécurité entre aiguille minute et verre
 Sicherheit zwischen Minutenzeiger und Glas
 Security between minute hand and glass

: min 0.30 mm
 : min 0.30 mm
 : min 0.30 mm

Cage Uhrwerkgestell 11½" Frame		Issued	17 Mrz 2001	cm
		Modified	22 Mai 2013 ÄA 13271	dh
		Released	YES	
		Tolerance	+/- 20 µm	
		Scale	10 : 1 (5 : 1) (A3H)	
		Sous réserve de modifications Aenderungenvorbehalten Modifications reserved		
RONDA	1019	No.	5000.307	08



Sécurité entre aiguille minute et verre
Sicherheit zwischen Minutenzeiger und Glas
Security between minute hand and glass

: min 0.30 mm
: min 0.30 mm
: min 0.30 mm

Cage
Uhrwerkgestell 11½"
Frame

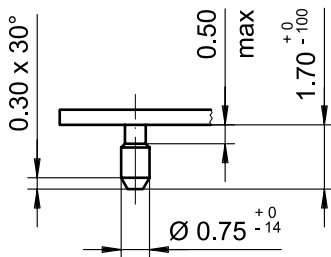
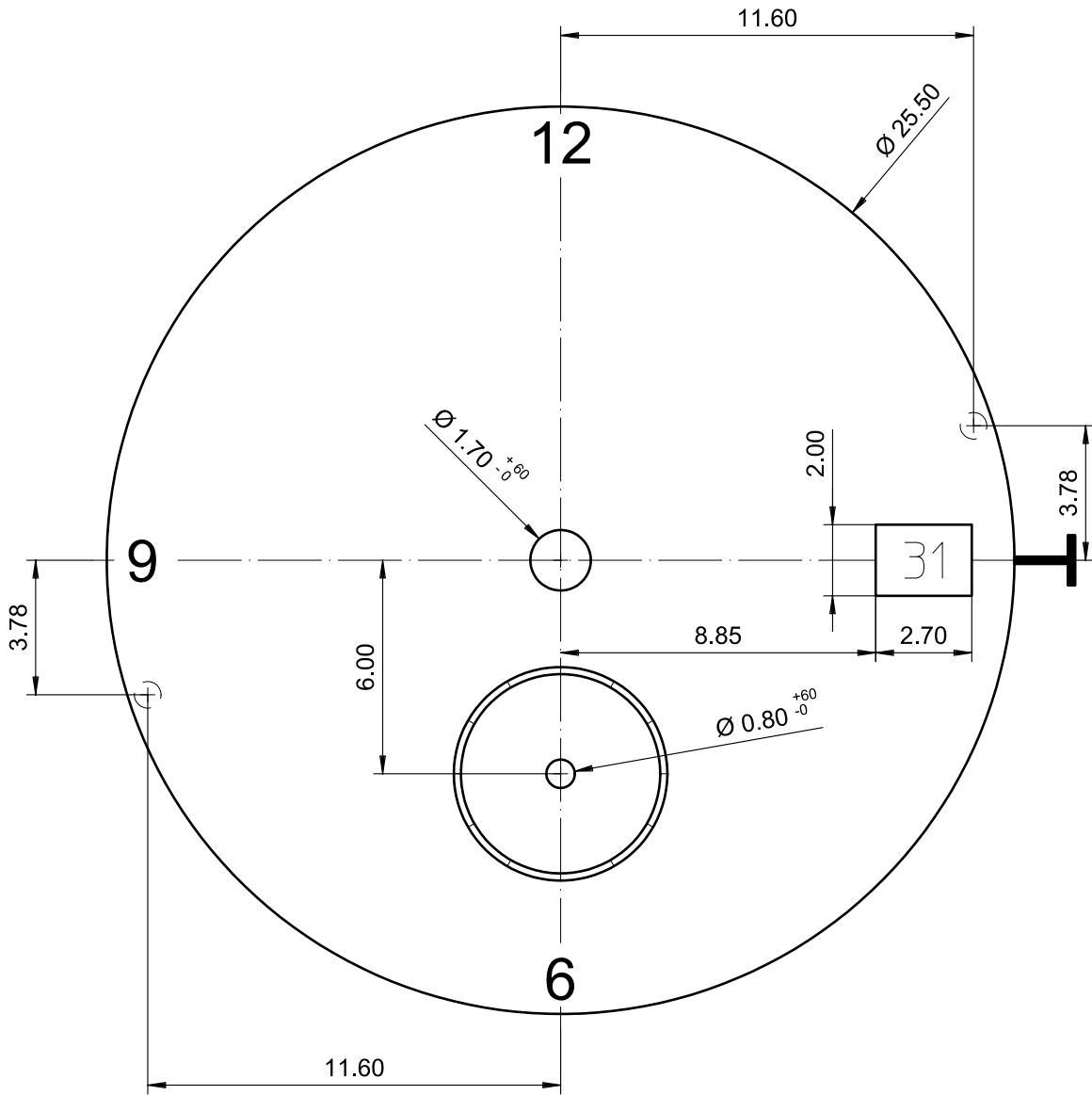
RONDA 1019

Pile Batterie Battery Ø7.90 x 1.65

Issued	20 Mai 2008	dh
Modified	22 Mai 2013 ÄÄ 13271	dh
Released	YES	
Tolerance	+/- 20 µm	
Scale	10 : 1 (5 : 1) (A3H)	

Sous réserve de modifications
Änderungsvorbehalten
Modifications reserved

No. 5000.379 02



Epaisseur du cadran selon hauteur de l'aiguillage
 Zifferblattdicke gemäss Zeigerwerkhöhen
 Dial thickness according to hand fitting heights

Tige	Date
Stellw.	Datum
Stem	Date
3H	3H
	<input type="checkbox"/>

Cadran
 Zifferblatt
 Dial

11 1/2'''

Issued	13 Dez 2006	cw
Modified	15.Dez.2006 ÄA ----	xx
Released	YES	
Tolerance	+/- 20 µm	
Scale	5 : 1 (A4V)	

RONDA

1019

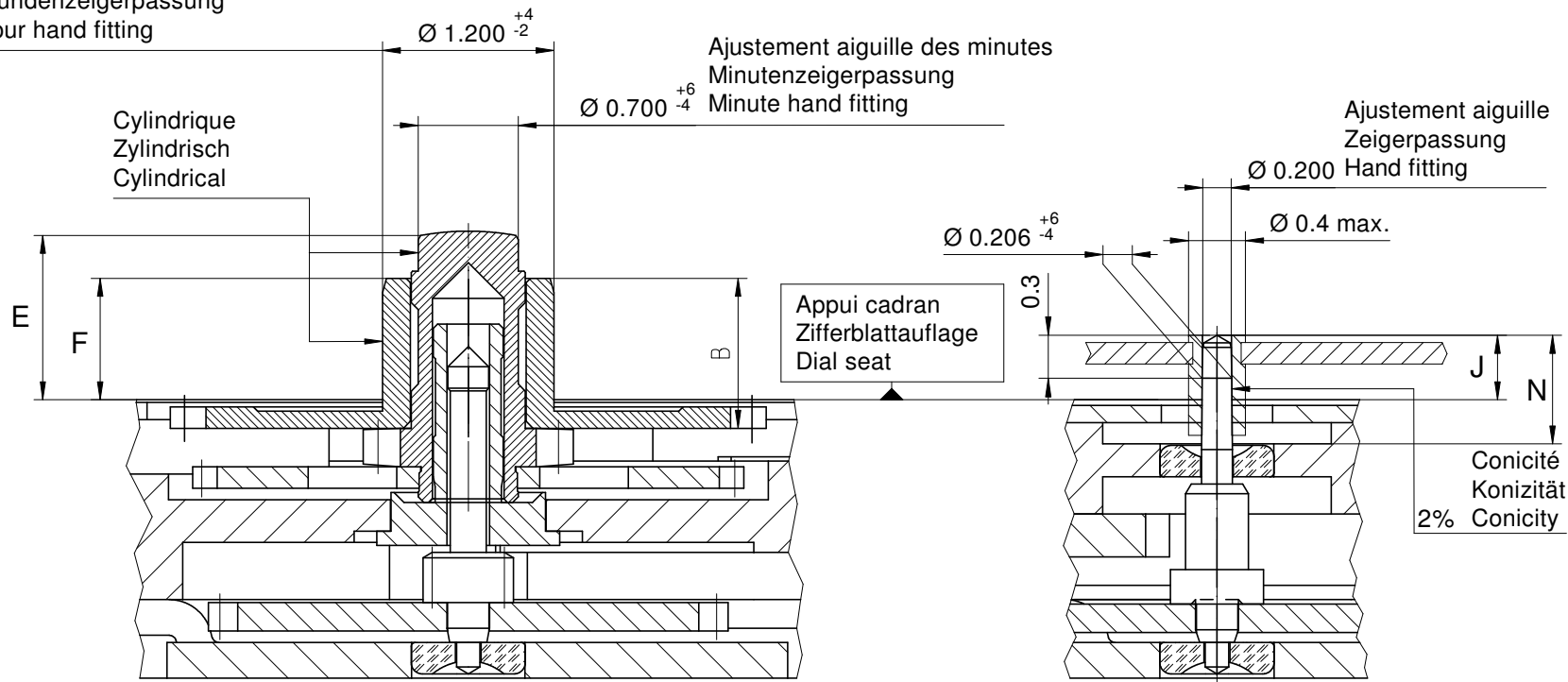
Sous réserve de modifications
 Aenderungen vorbehalten
 Modifications reserved

No. 5010.527 01

Ajustement aiguille des heures
Stundenzeigerpassung
Hour hand fitting

Ajustement aiguille des minutes
Minutenzeigerpassung
Minute hand fitting

Ajustement aiguille
Zeigerpassung
Hand fitting



Heures / minutes
Stunden / Minuten
Hours / minutes

Petite seconde
Kleine Sekunde
Small second

Aiguillage no Zeigerwerkhöhe Nr. Hand fitting height No	Dépassement Höhe über Zifferblattauflage Height over dial seat			Longueur Länge Length	Epaisseur max. (peinture comprise) Max. Dicke (inkl. Farbe) Max. thickness (paint included)				
	Chaussée Minutenrohr Cannon-pinion	Roue des heures Stundenrad Hour wheel	Petite seconde Kleine Sekunde Small second		Cadran Zifferblatt Dial		Aiguilles Zeiger Hands		
	E	F	J	N	B	Sous l'aiguille des minutes Unter Minutenzeiger Under minute hand	Sous l'aiguille des heures Unter Stundenzeiger Under hour hand	Sous l'aiguille de petite seconde Unter kleine Sekundenzeiger Under small second hand	
1	1.15	0.85	0.45	0.75	1.05	0.70	0.40	0.20	0.15
2	1.40	1.10	0.70	1.00	1.30	0.95	0.65	0.40	0.15
3	1.73	1.30	0.80	1.10	1.50	1.30	0.90	0.50	0.15

	Aig. des minutes Minutenzeiger Minute hand	Aig. des heures Stundenzeiger Hour hand	Aig. petite secondes Kleine Sekundenzeiger Small second hand	Lors de la pose d'aiguilles, le mouvement doit être soutenu. Beim Zeigersetzen muss das Werk abgestützt werden. The movement needs to be supported for hand setting.
mg max.	30	30	10	Masse / Masse / weight
µNm max.	0.60	0.60	0.04	Balourd / Unwucht / unbalance
gmm ² max.	-	-	0.2	Inertie / Massenträgheit / Inertia
N max.	40	40	30	Force de chassage / Aufpresskraft / Force

Aiguillages Zeigerwerkhöhen 10 1/2" Hand fitting heights

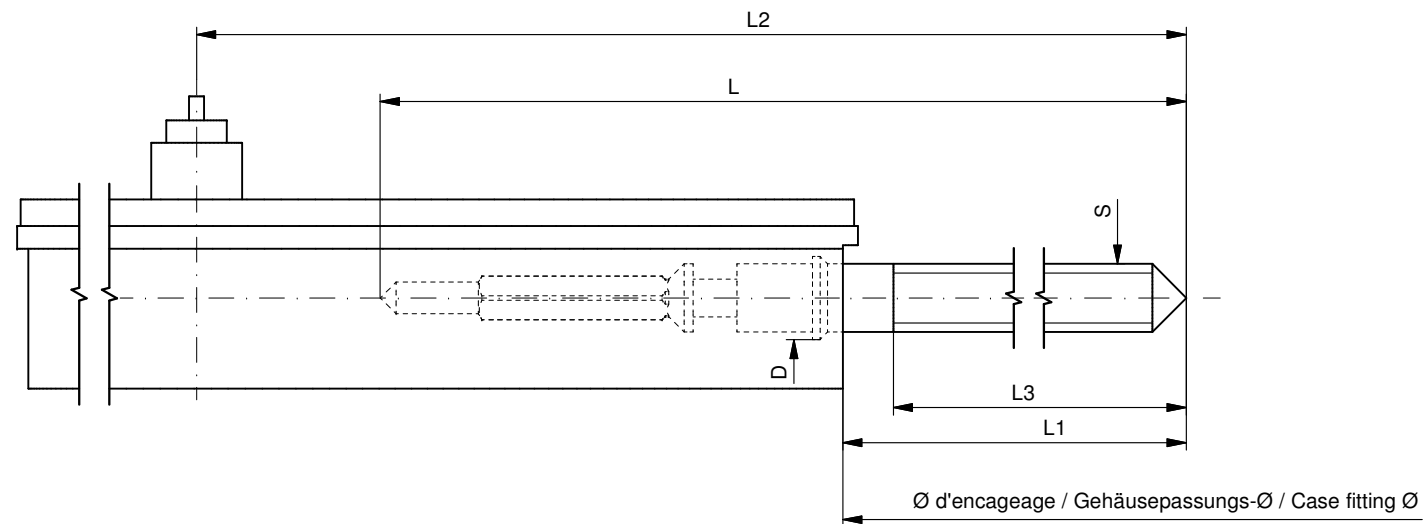
RONDA 1004, 1009, 1014, 1019

Issued	14 Mrz 2001	mk
Modified	15 Okt 2014 ÄA 13275	dh
Released	Yes	
Tolerance	µm	
Scale	20 : 1 (A3H)	
Sous réserve de modifications Änderungen vorbehalten Modifications reserved		
No.	3316.070	09

* En cas de données différentes, veuillez contacter le service après-vente

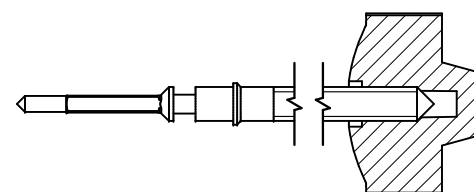
* Bei abweichenden Werten, bitte technischen Kundendienst anfragen

* In case of different values, please contact the customer service



Tige de travail (intégrée dans le mouvement)
 Arbeitstellwelle (im Werk eingebaut)
 Working stem (implemented in the movement)

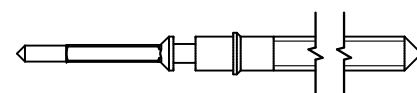
No. d'article Artikelnummer Part number	L	L1	L2	L3	S	D
3000.170.CO	20.00	10.13	22.93	10.60	0.90	0.90



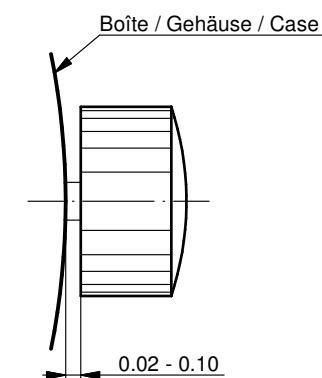
Couleur de la couronne Kronenfarbe Crown color	bordeaux weinrot wine red
Code	UN 4020

Tige (normale) / Stellwelle (normal) / Stem (normal)

No. d'article Artikelnummer Part number	L	L1	L2	L3	S	D
3000.170	20.00	10.13	22.93	10.60	0.90	0.90



Couronne normale
 Normale Krone
 Normal crown

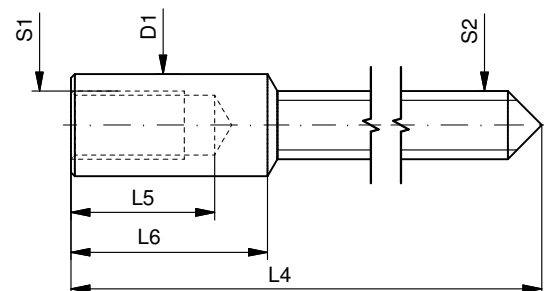


Couronne vissée
 Geschraubte Krone
 Screwed crown

Force ⇐ min. Kraft ⇐ min. Force ⇐ min.	10 N
Force ⇐ max. Kraft ⇐ max. Force ⇐ max.	15 N

Rallonge de tige / Stellwelle Verlängerung / Stem extension

No. d'article Artikelnummer Part number	L4	L5 (min)	L6	S1	S2	D1
3000.040	12.00	1.90	2.60	0.90	0.90	1.35



Tige (dimensions / forces)
 Stellwelle (Dimensionen / Kräfte)
 Stem (dimensions / forces)

RONDA 1015, 1016, 1019

Issued	03 Sep 2012	ds5222
Modified	17 Mär 2017 ÄA 34582	mg5224
Released	YES	
Tolerance	---	
Scale	10:1 (A3)	

Sous réserve de modifications
 Änderungen vorbehalten
 Modifications reserved

No.	5030.015	03
-----	----------	----

User's Manual English

Movements Caliber

RONDA powertech

– 585
– 505
– 515

RONDA slimtech

– 1005
– 1006
– 1009
– 1015
– 1016
– 1019

RONDA normtech

– 774 – 6003.D
– 775 – 6004.D
– 704 – 6003.B
– 705 – 6004.B
– 784
– 785
– 714
– 715
– 715Li

RONDA mastertech

– 7002.B
– 7003.B
– 7004.B

You have decided to buy a watch, which was assembled by a watchmaker using a Ronda movement. Please note that no watches are produced or distributed under the Ronda brand.

In case of repairs, guarantee claims and questions concerning the functioning of a watch, purchasers and consumers should contact their retailer or the watch manufacturer, for which the relevant information can be found in the sales or guarantee documentation provided with the watch.

Cal. 585 / 785:

Battery type: 362/SR721SW

Cal. 774 / 775 / 784:

Battery type: 364/SR621SW

Cal. 505 / 515 / 704 / 705 / 714 / 715:

Battery type: 371/SR920SW

Cal. 6003.D / 6004.D / 6003.B / 6004.B:

Battery type: 373/SR916SW

Cal. 1005 / 1006 / 1009 / 1015 / 1016 / 1019:

Battery type: 341/SR714SW

Cal. 7002.B / 7003.B / 7004.B:

Battery type: 381/SR1120SW

Cal. 715Li:

Battery type: CR 2016

Precision: +20/-10 seconds per month

Cal. 585

Cal. 6003.D

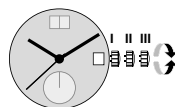
Cal. 505

Cal. 6004.D

Cal. 515

Cal. 6003.B

Cal. 6004.B



Pos. I Position of rest (watch running)

Pos. II Quick-change correction for date

The date can also be corrected during the day-changing phase between 10 pm and midnight. The date of the following day has to be set, because no automatic date change takes place at midnight.

- Pull the crown out to position II (watch still running).
- Turn the crown clockwise until the required date appears.

Cal. 6003.D & 6004.D:

- Turn the crown until the required date appears.
- Push the crown back into position I.

Pos. III Setting the time

- Pull the crown out to position III (watch stopped).
- Turn the crown, until the current time is displayed (remember the 24-hour cycle).
- Push the crown back into position I.

Cal. 774

Cal. 715Li

Cal. 775

Cal. 704

Cal. 1005

Cal. 705

Cal. 1006

Cal. 784

Cal. 1009

Cal. 785

Cal. 1015

Cal. 714

Cal. 1016

Cal. 715

Cal. 1019



Pos. I Position of rest (watch running)

Pos. II Quick-change correction for date

Blocking time for the quick-change day correction is from approx. 9.30 pm and midnight.

- Pull the crown out to position II (watch still running).
- Turn the crown until the current date appears.
- Push the crown back into position I.

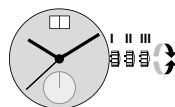
Pos. III Setting the time

- Pull the crown out to position III (watch stopped).
- Turn the crown, until the current time is displayed (remember the 24-hour cycle).
- Push the crown back into position I.

Cal. 7002.B

Cal. 7003.B

Cal. 7004.B



Pos. I Position of rest (watch running)

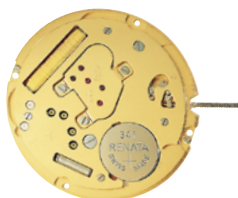
Pos. II Quick-change correction for date

The date can also be changed during the day-changing phase between approx. 8.00 pm and midnight. The date of the following day has to be set, because no automatic date change takes place at midnight.

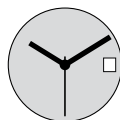
- Pull the crown out to position II (watch still running).
- Turn the crown until the current date appears.
- Push the crown back into position I.

Pos. III Setting the time

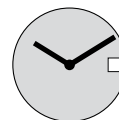
- Pull the crown out to position III (watch stopped).
- Turn the crown, until the current time is displayed (remember the 24-hour cycle).
- Push the crown back into position I.



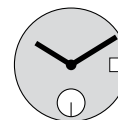
11 1/2'''



1015



1016



1019

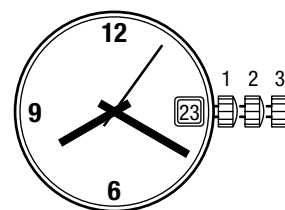


Funktionen

Fonctions

Functions

Kaliber	Stellwellenpos.	Funktionen
Calibre	Pos. de tige	Fonctions
Caliber	Stem position	Functions
1016	1	Normale Position / Position normale / Running position
	2	Datumkorrektur / Correction de la date / Date correction
	3	Zeiger stellen, mit Unterbruch der Motorimpulse Mise à l'heure, avec interruption des impulsions moteur Hand setting, with interruption of the motor pulses
1015, 1019	1	Normale Position / Position normale / Running position
	2	Datumkorrektur / Correction de la date / Date correction
	3	Zeiger stellen, Sekunden-Stopp mit Unterbruch der Motorimpulse Mise à l'heure, stop-seconde avec interruption des impulsions moteur Hand setting, stop-second with interruption of the motor pulses



Batterie

Pile

Battery

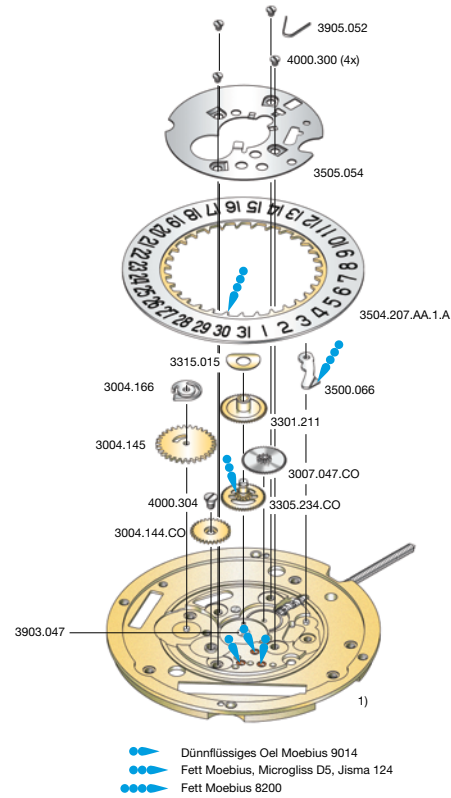
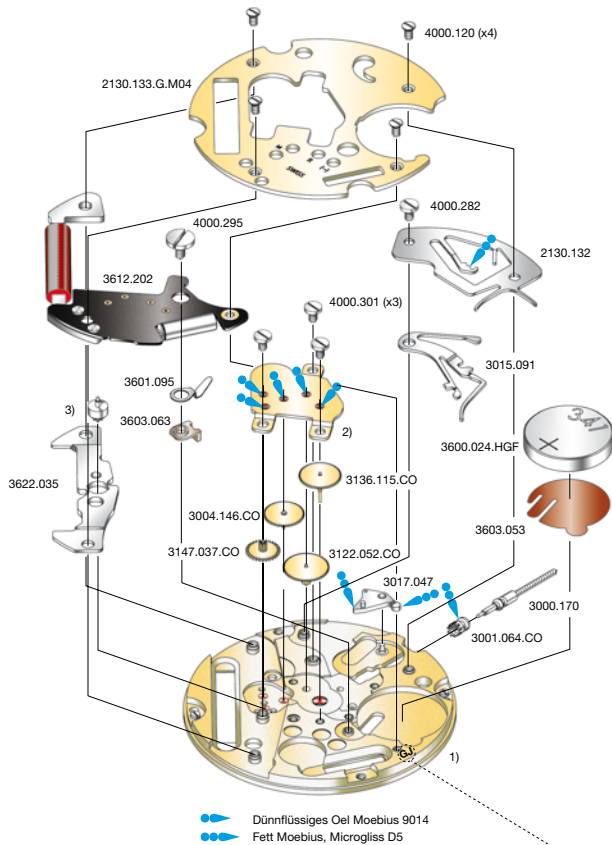
Kaliber	Batterie	Spannung	Artikelnummer RONDA
Calibre	Pile	Voltage	Numero d'article RONDA
Caliber	Battery	Tension	Part number RONDA
1015-1019	341/SR714SW	1.55 V	3600.024.HGF

Werkaufbau

Assemblage

Assembling

11 1/2" 1015, 1016



Dünnflüssiges Öl Moebius 9014
 Fett Moebius, Microgliss D5

Dünnflüssiges Öl Moebius 9014
 Fett Moebius, Microgliss D5, Jisma 124
 Fett Moebius 8200

Code: Beispiel GJ / exemple GJ / exemple GJ

Cal. 1015	Werkseite / Côté mouvement / Movement side		
Plan no.	Bestandteile	Fournitures	Spare Parts
1)	Werkplatte	Platine	Main plate
2)	Räderwerkbrücke	Pont rouge	Train w. bridge
2130.132	Deckplatte	Couvre mec.	Setting lever cov.
2130.133.G.M04	Modul-Abdeckp.	Couvre module	Module cover pl.
3000.170	Stellwelle	Tige	Stem
3001.064.CO	Kupplungstrieb	Pignon coulant	Sliding pinion
3004.146.CO	Sekundenzw.rad	Renvoi seconde	Second driv. wh.
3015.091	Wippe	Bascule	Yoke
3017.047	Winkelhebel	Tirette	Setting lever
3122.052.CO	Kleinbodenrad	Roue moyenne	Third wheel
3136.115.CO	Sekundenrad	Roue secondes	Second-wheel
3147.037.CO	Zwischenrad	Roue interméd.	Intermed. wheel
3600.024.HGF	Batterie	Pile	Battery
3601.095	Batterie-Kontakt	Bride contact	Battery contact
3603.053	Batterie-Isolation	Isolateur pile	Battery insulation
3603.063	Kontakt Isolation	Isolateur bride	Batt. contact ins.
3612.202	Modul m. Spule	Module av. bobine	Module w. coil
3622.035	Stator	Stator	Stator
3)	Rotor	Rotor	Rotor
4000.120	Schraube	Vis	Screw
4000.282	Schraube	Vis	Screw
4000.295	Schraube	Vis	Screw
4000.301	Schraube	Vis	Screw

Abweichungen / Divergences / Deviations

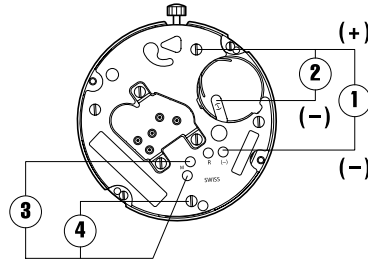
Cal. 1016	Werkseite / Côté mouvement / Movement side		
Plan No.	Bestandteile	Fournitures	Spare Parts
1)	Werkplatte	Platine	Main plate
2130.133.G.M01	Modul-Abdeckp.	Couvre module	Module cover pl.
3136.117.CO	Sekundenrad	Roue secondes	Second wheel

	2. Buchstabe: A-J Second letter: A-J 2 ^{ième} chiffre: A-J	2. Buchstabe: ab K Second letter: from K 2 ^{ième} chiffre: à partir de K	Cal. Cal. Cal.
1)	2000.615.G	2000.699.G	1015/1016
2)	2020.141.G.M01	2020.183.G.M01	1015/1016
3)	3715.070.RK	3715.115.RK	1015/1016

Cal. 1015	Zifferblattseite / Côté cadran / Dial side		
Plan no.	Bestandteile	Fournitures	Spare Parts
1)	Werkplatte	Platine	Main plate
3004.144.CO	Zw.rad Kalender	Roue interm. cal.	Cal. interm. wh.
3004.145	Datummitn.-rad	Renvoi entrain.	Ind. driving wh.
3004.166	Datumfinger	Doigt entraineuse	Date finger
3007.047.CO	Wechselrad	Minuterie	Minute wheel
3301.211	Stundenrad	Canon	Hour wheel
3305.234.CO	Minutenrohr	Chaussée	Cannon pinion
3315.015	Spreizfeder	Clinquant	Washer
3500.066	Datumraste	Cliquet calendrier	Date jumper
3504.207.AA.1.A	Datumanzeiger	Bague	Date indicator
3505.054	Kal.-Abdeckplatte	Couvercle calend.	Date ind. guard
3903.047	Zentrumlagerrohr	Tube chaussée	Center tube
3905.052	Feder Datumraste	Ressort cliquet	Date jumper spr.
4000.300	Schraube	Vis	Screw
4000.304	Schraube	Vis	Screw

Abweichungen / Divergences / Deviations

Cal. 1016	Zifferblattseite / Côté cadran / Dial side		
Plan No.	Bestandteile	Fournitures	Spare Parts
1)	Werkplatte	Platine	Main plate
3301.327	Stundenrad	Canon	Hour wheel
3305.366.CO	Minutenrohr	Chaussée	Cannon pinion
3903.056	Zentrumlagerrohr	Tube chaussée	Center tube



Kaliber Calibre Caliber	Pos. Pos. Pos.	Einheit Unité Unit	Messwerte Valeurs mesurées Measured values	Kontrolle Contrôle Check	Bemerkungen Remarques Remarks
1015-1019	1	V	1,55	Batterie-Spannung Tension de la pile Battery voltage	Mit Batterie Avec pile With battery
1015-1019	2	µA	0,50-0,95	Stromaufnahme Consommation de courant Current consumption	Ohne Batterie, mit externer Speisung Sans pile, avec alimentation externe Without battery, with external supply
1015-1019	2	V	< 1,30	Funktionskontrolle bei Minimalspannung Contrôle de fonctionnement à tension minimale Check with lowest possible voltage	Ohne Batterie, mit externer Speisung Sans pile, avec alimentation externe Without battery, with external power supply
1015-1019	3	KΩ	2,50-2,70	Spulenwiderstand Résistance de la bobine Resistance of the coil	Ohne Batterie Sans pile Without battery
1015-1019	4	KΩ	∞	Spulenisolation Isolation de la bobine Coil insulation	Ohne Batterie Sans pile Without battery
1015-1019		Sek./Monat sec./mois sec./month	- 10/+ 20	Induktivsonde 60 Sek. Senseur inductif 60 sec. Inductive sensor 60 sec.	Mit Batterie Avec pile With battery

Einschalen / Werkzeuge

Nr. H 101x.1A



Emboîtement / outils

Nr. H 101x.1T

Casing / tools



	SWISS MADE
2 Schrauben 2 Vis 2 Screws	

Zeigersetzen

Maximale Aufpresskraft:

- Stunden und Minutenzeiger: max. 40N
- Sekundenzeiger: max. 30N

Beim Zeigersetzen muss das Werk abgestützt werden.

Poser les aiguilles

Force de chassage maximale:

- Aiguilles des heure et des minutes: max. 40N
- Aiguille des secondes: max. 30N

Lors de la pose d'aiguilles, le mouvement doit être soutenu.

Hand setting

Maximal force:

- Hour and minute hands: max. 40N
- Second hand: max. 30N

The movement needs to be supported for hand setting.

Stellwelle entfernen

Beim Entfernen der Stellwelle muss sich die Stellwelle in Position 1 (gedrückt) befinden, bevor auf den Winkelhebel gedrückt wird.

Enlever la tige

En enlevant la tige, la tige doit se trouver en position 1 (poussée), avant de pousser sur la trette.

Stem removal

For removal of the stem, the stem must be pushed into position 1 (pressed in) prior to apply pressure to the setting lever.