

Watch Movement Specification and Drawing

CALENDAR

Cal. VX12E

Movement Size

8 3/4''

Casing Diameter

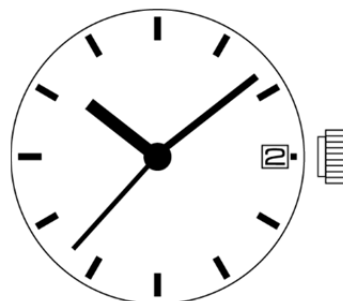
Ø 19.4mm

Height

2.60mm

Battery Life

3 years



Date: 28/Feb./'14

Cal. VX12E

Items	Rev.	Page
Specifications	03	1
Appearance	04	2
Casing	05	3
Hand fitting	04	4
Hand setting stem	04	5
Dial-01	02	6-01
Dial-02	01	6-02
Dial-04	01	6-04
Dial-05	01	6-05
Dial-06	01	6-06
Dial-08	01	6-08
Dial-09	01	6-09
Dial-10	01	6-10
Casing ring	02	7

Analog Quartz 8 3/4" Slim Movement / Three hands(H/M/S) with Calendar**1. MOVEMENT DIMENSIONS**

Outside diameter	ϕ 20.00mm × 18.00mm(3-9H)
Casing diameter	ϕ 19.40mm × 18.00mm(3-9H)
Total height	2.60mm (including battery)

2. TIME STANDARD

Type of quartz oscillator	Tuning fork
Frequency of quartz oscillator	32,768 Hz
Accuracy	±20 seconds per month (on wrist)
Operating temperature range	-5°C to +50°C
Regulation device	Nil (Pre-adjusted)

3. INDICATOR / FUNCTIONS

3 Hands	Hour / Minute / Second
Calendar	Instant setting device for date calendar
Reset switch	
Setting mechanism	Crown at normal position : Free
	Crown pulled out 1st click : Instant date change
	Crown pulled out 2nd click : Time setting / Reset

4. FEATURES

Jewels	0 Jewels
Anti-magnetism	Over 1600A/m (Direct current magnetic field)
Maximum unbalance of hands	Hour hand : 0.5 μ N·m
	Minute hand : 0.6 μ N·m
	Second hand : 0.07 μ N·m

5. BATTERY

Type / Size	Silver oxide battery / ϕ 7.9mm × t 1.6mm
Recommended battery	SR716SW (Maxell, Sony)
Nominal voltage	1.55 V
Battery life	Approx. 3 years
Driving current consumption	Approx. 0.80 μ A
Operation stopping voltage	0.9 V

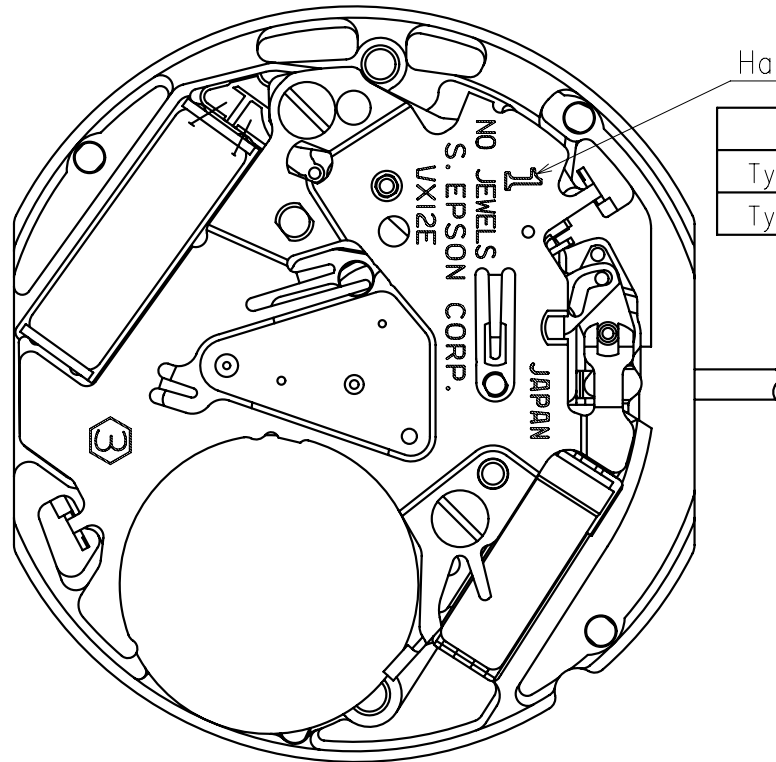
6. SEPARATED PARTS (Parts code)

Hand setting stem	0351177 or 0351578
Battery	SR716SW

7. TEST OF ACCURACY

Equipment to be used	SEIKO quartz tester QT-99, Greiner quartz timer-C , Witschi Q-tester 4000
Duration of measurement	10 seconds
Microphone to be used	Electromagnetic detection type

All specifications are subject to change without notice.

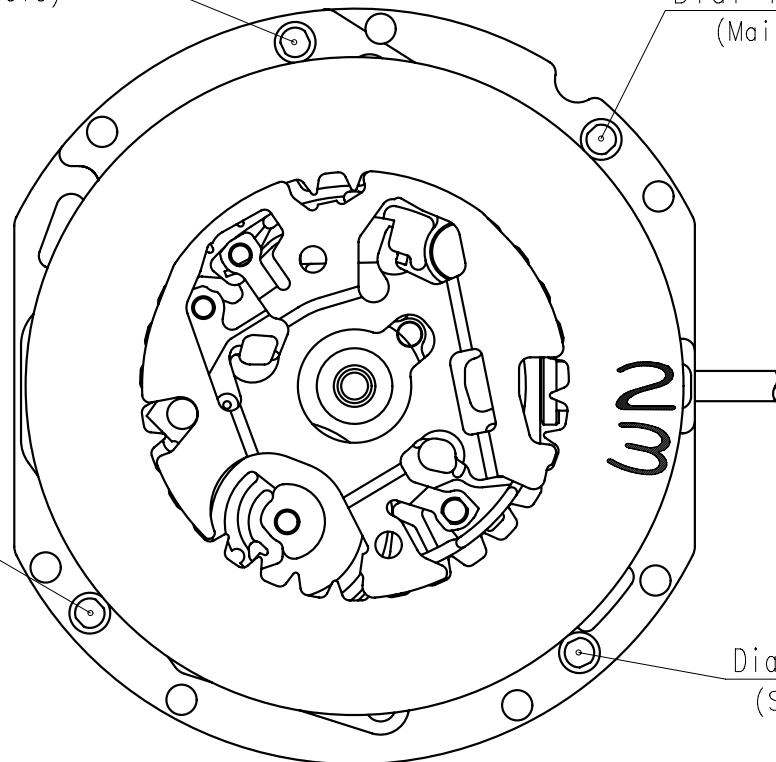


Hands type

	Mark
Type S (1)	1
Type M (2)	2

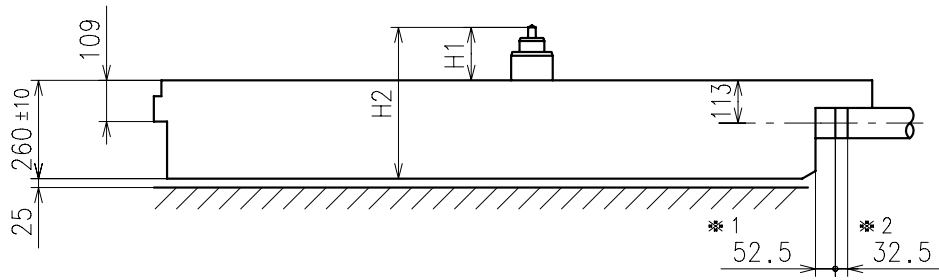
Dial leg hole C
(Sub hole)

Dial leg hole A
(Main hole)



Dial leg hole B
(Main hole)

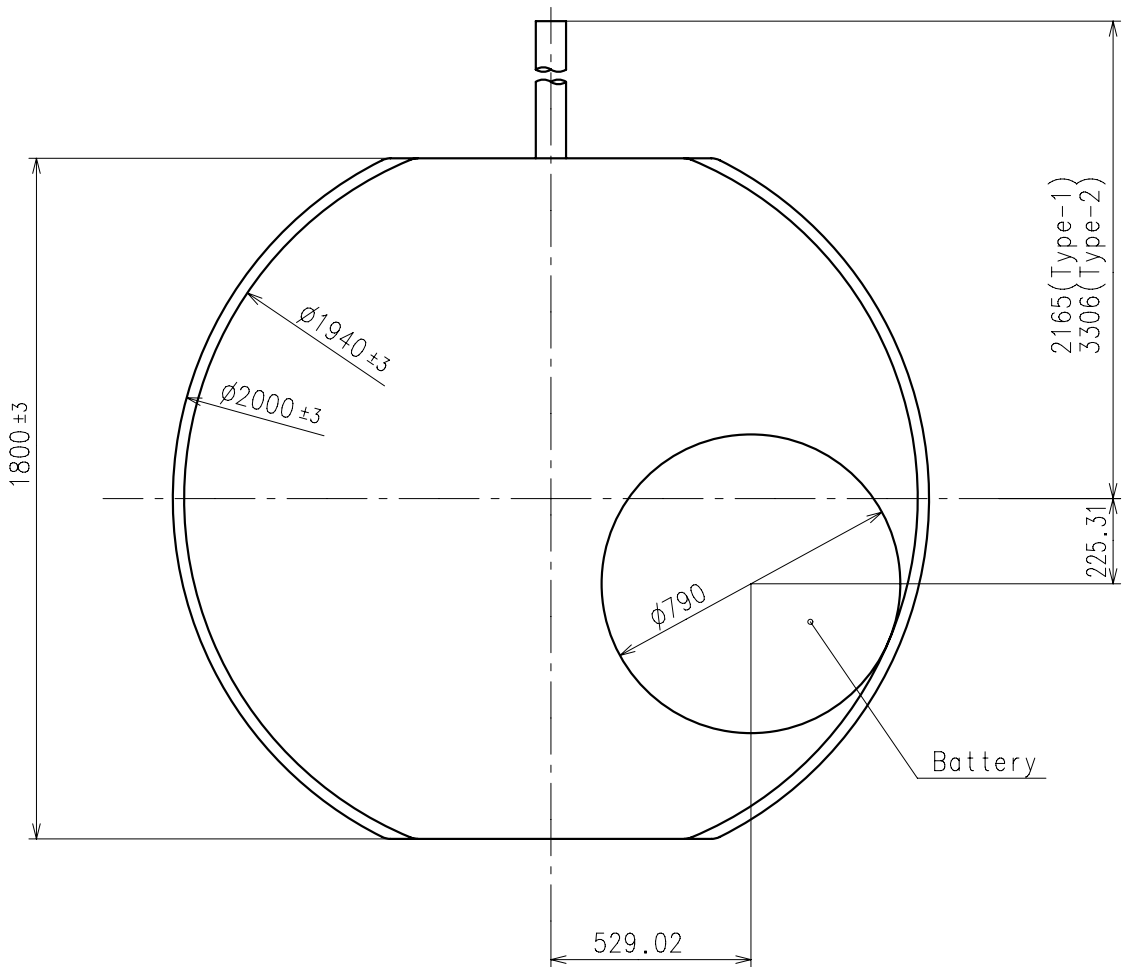
Dial leg hole D
(Sub hole)



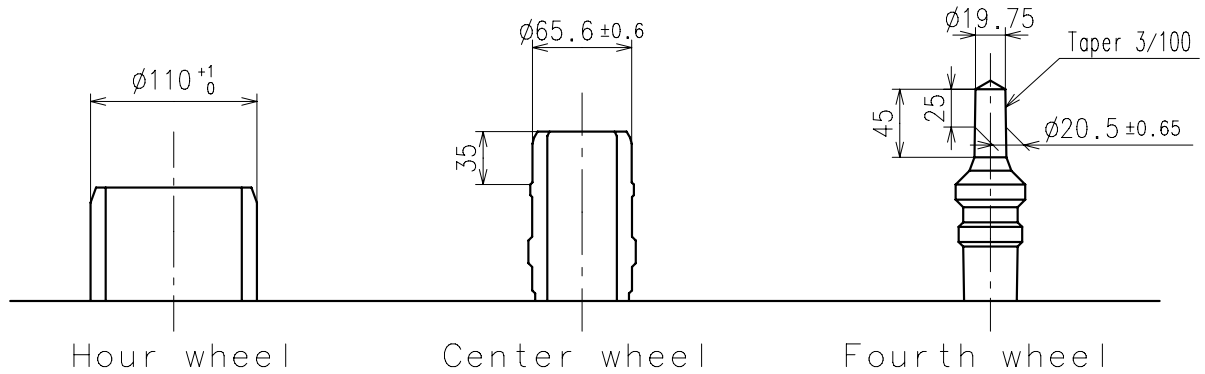
Center post		Type S (1) VX12E1*	Type M (2) VX12E2*
Maximum height from dial support	H1	140	182
Total height including movement	H2	400	442

*1:First pullout stroke

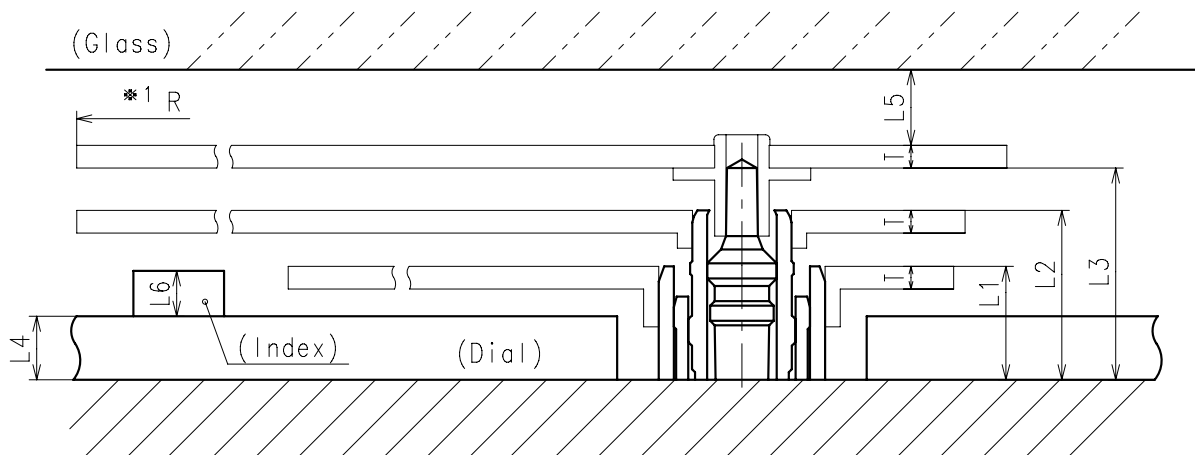
*2:Second pullout stroke



- * Hour hand unbalance $\leq 0.5\mu\text{ N}\cdot\text{m}$ ($50\mu\text{ g}\cdot\text{m}$)
- * Minute hand unbalance $\leq 0.6\mu\text{ N}\cdot\text{m}$ ($60\mu\text{ g}\cdot\text{m}$)
- * Second hand unbalance $\leq 0.07\mu\text{ N}\cdot\text{m}$ ($7\mu\text{ g}\cdot\text{m}$)

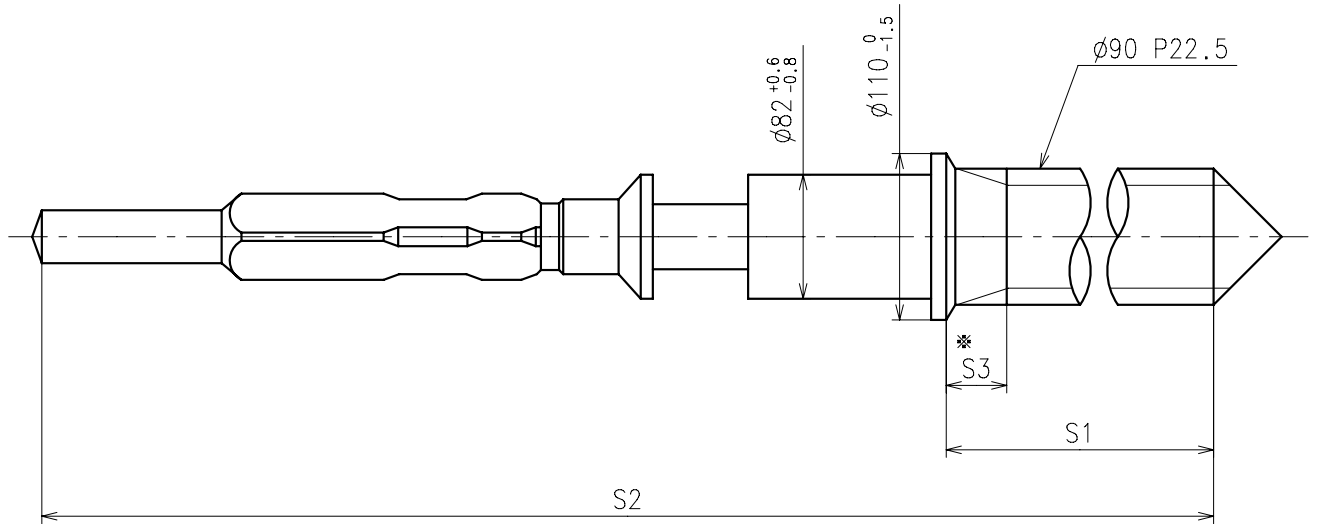


	Parts No.		
	Hour wheel	Center wheel	Fourth wheel
Type S (1) VX12E1*	0271929	0221929	0241929
Type M (2) VX12E2*	0271942	0221904	0241904



	L1	L2	L3	L4	L5	L6	T	*1 R
Type S (1) VX12E1*	75	112	140	40	MIN: 50	MAX: 30	15	MAX: 1250
Type M (2) VX12E2*	105	154	182	40	MIN: 50	MAX: 60	15	MAX: 1250

*1: It is the size taken into consideration for hands attachment.
Please observe some standard value specified in unbalance when using long hands.

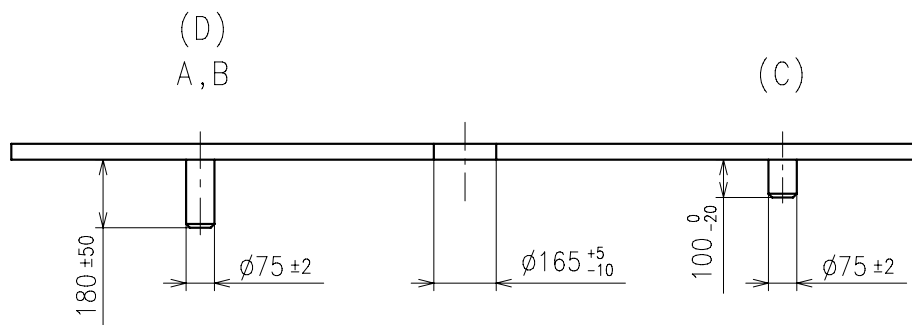
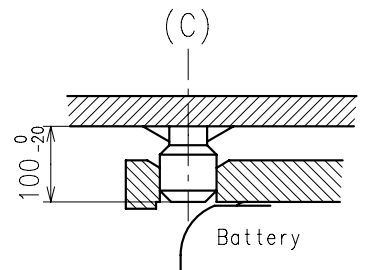
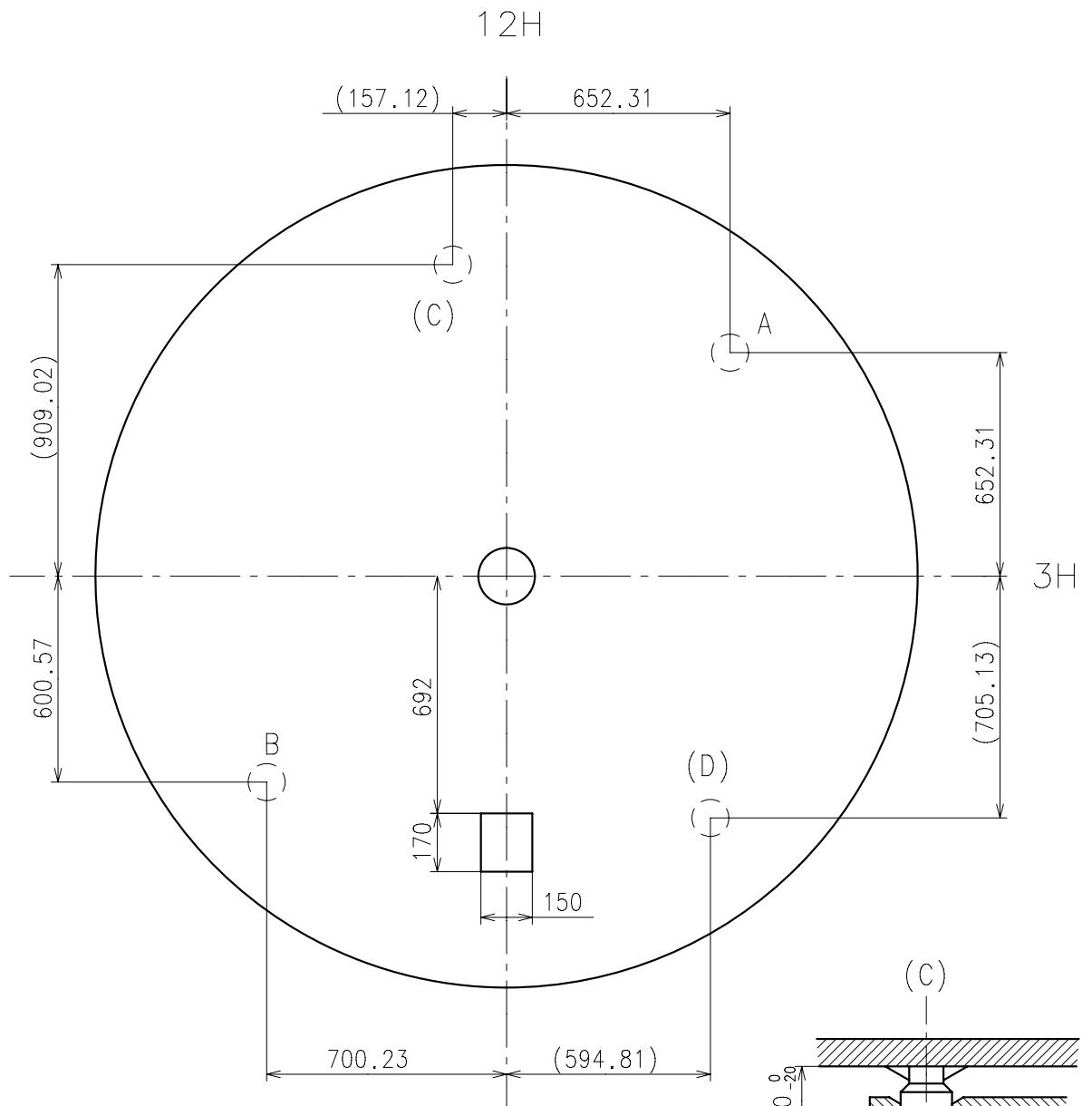


* Not threaded

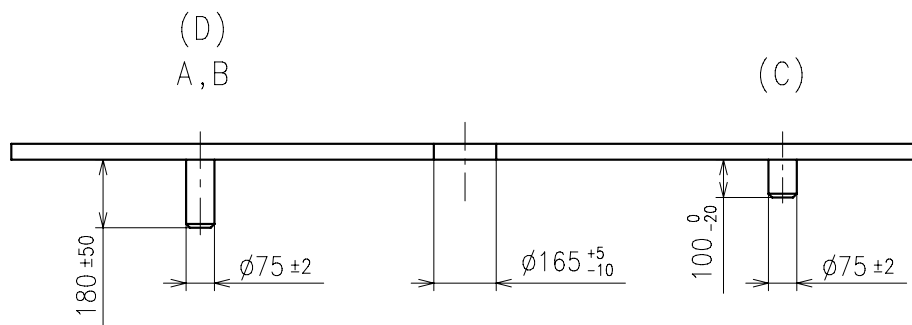
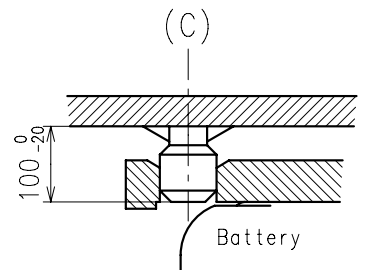
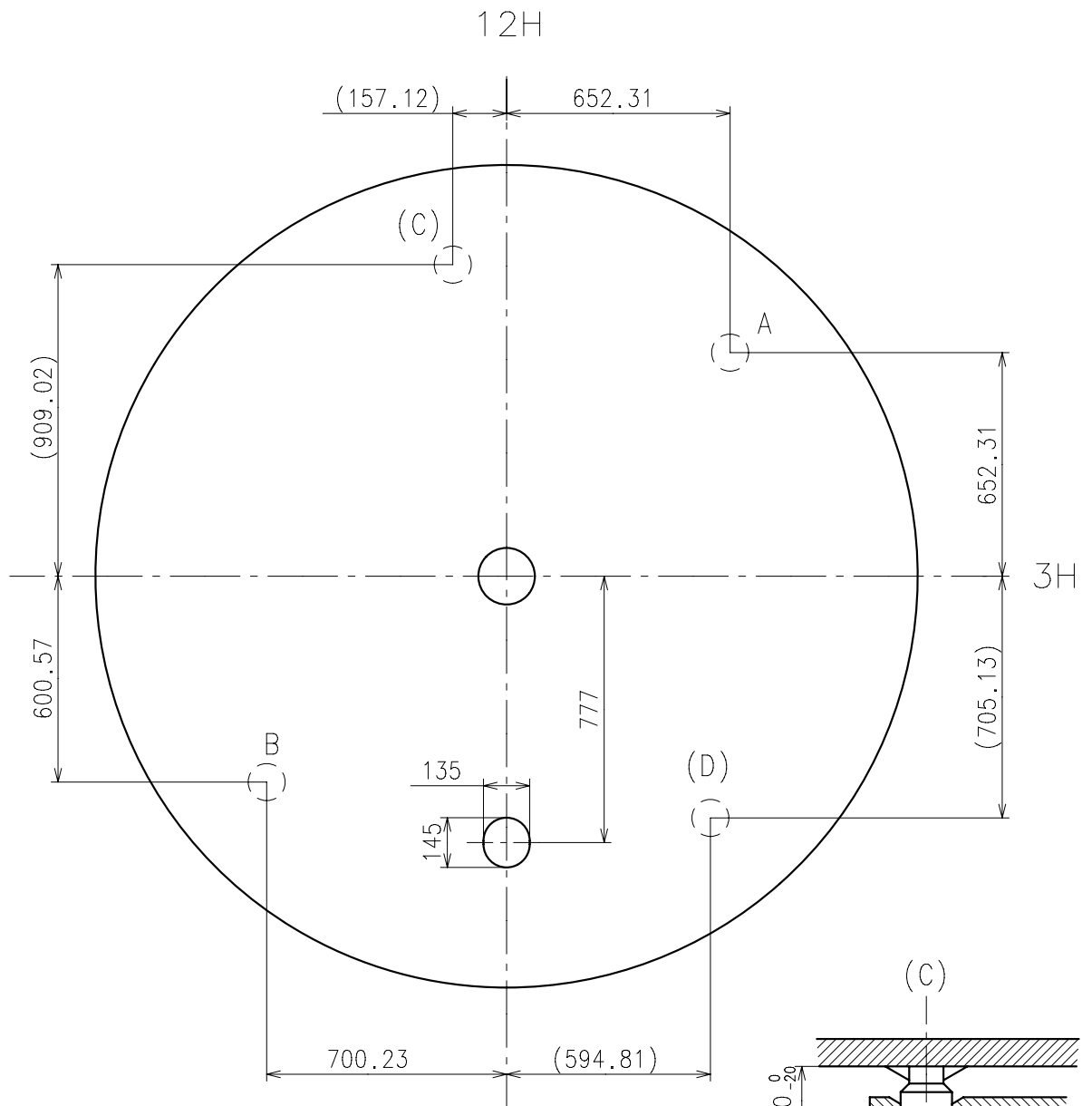
	Part No.	S1	S2	* S3
Type-1 (Standard)	0351177	1366	1964	60
Type-2	0351578	2507	3105	650

Material : Steel

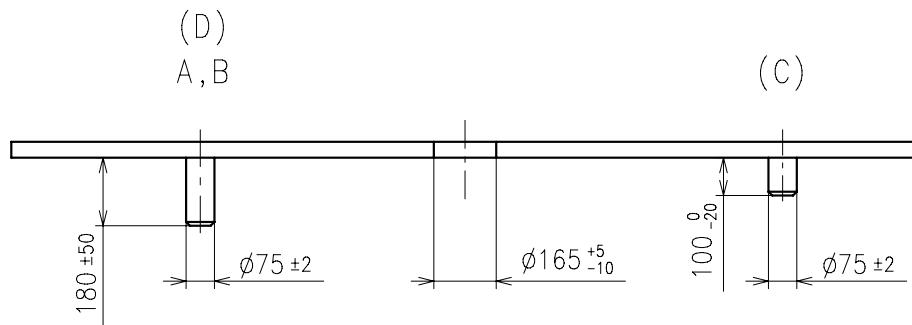
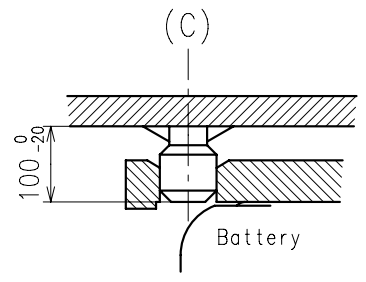
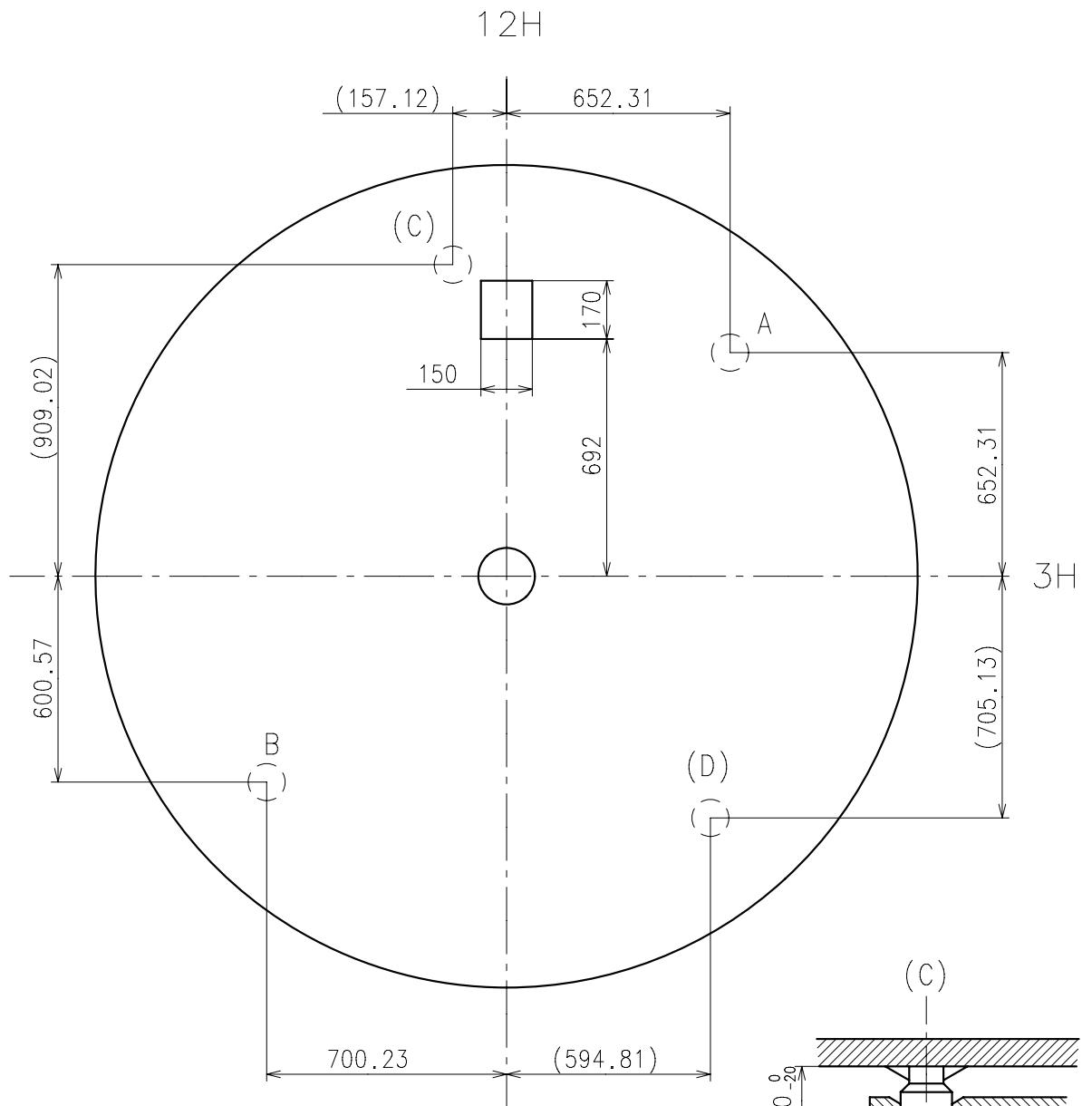
Hardness : Vickers 600±50



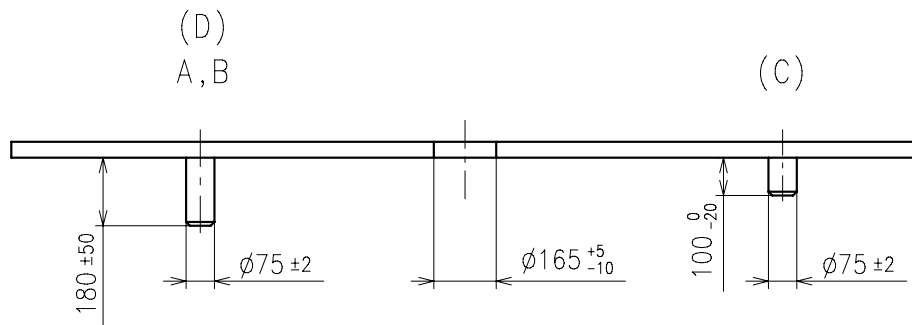
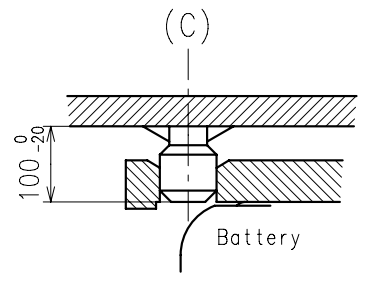
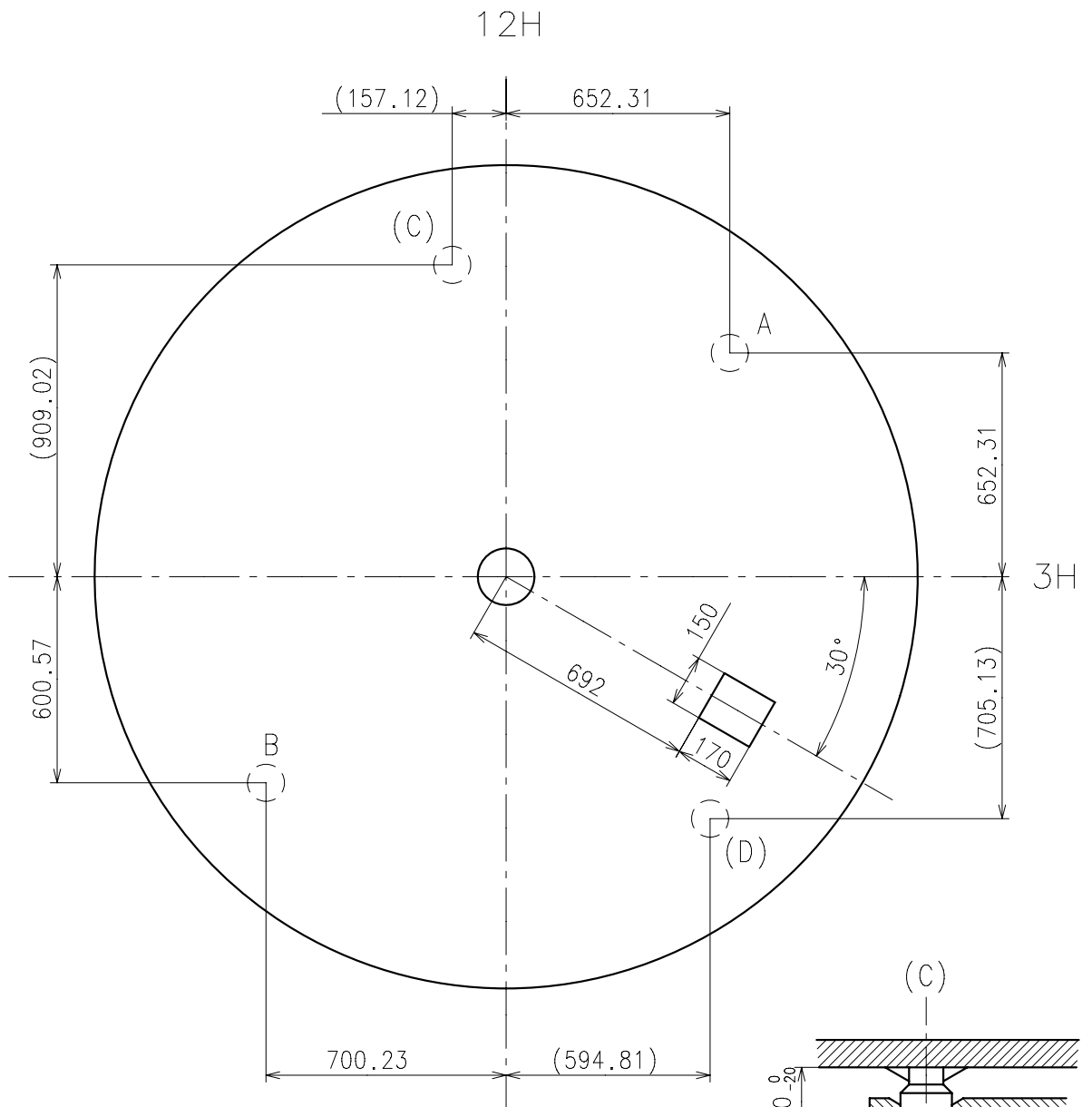
* Use dial leg A-B or (C-D)



* Use dial leg A-B or (C-D)



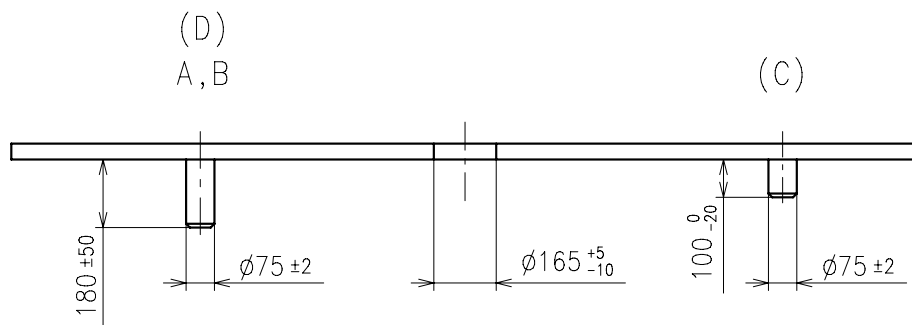
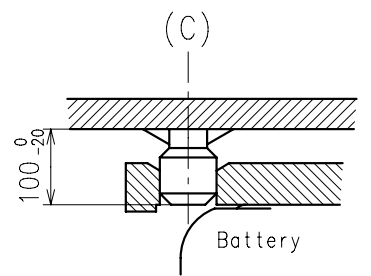
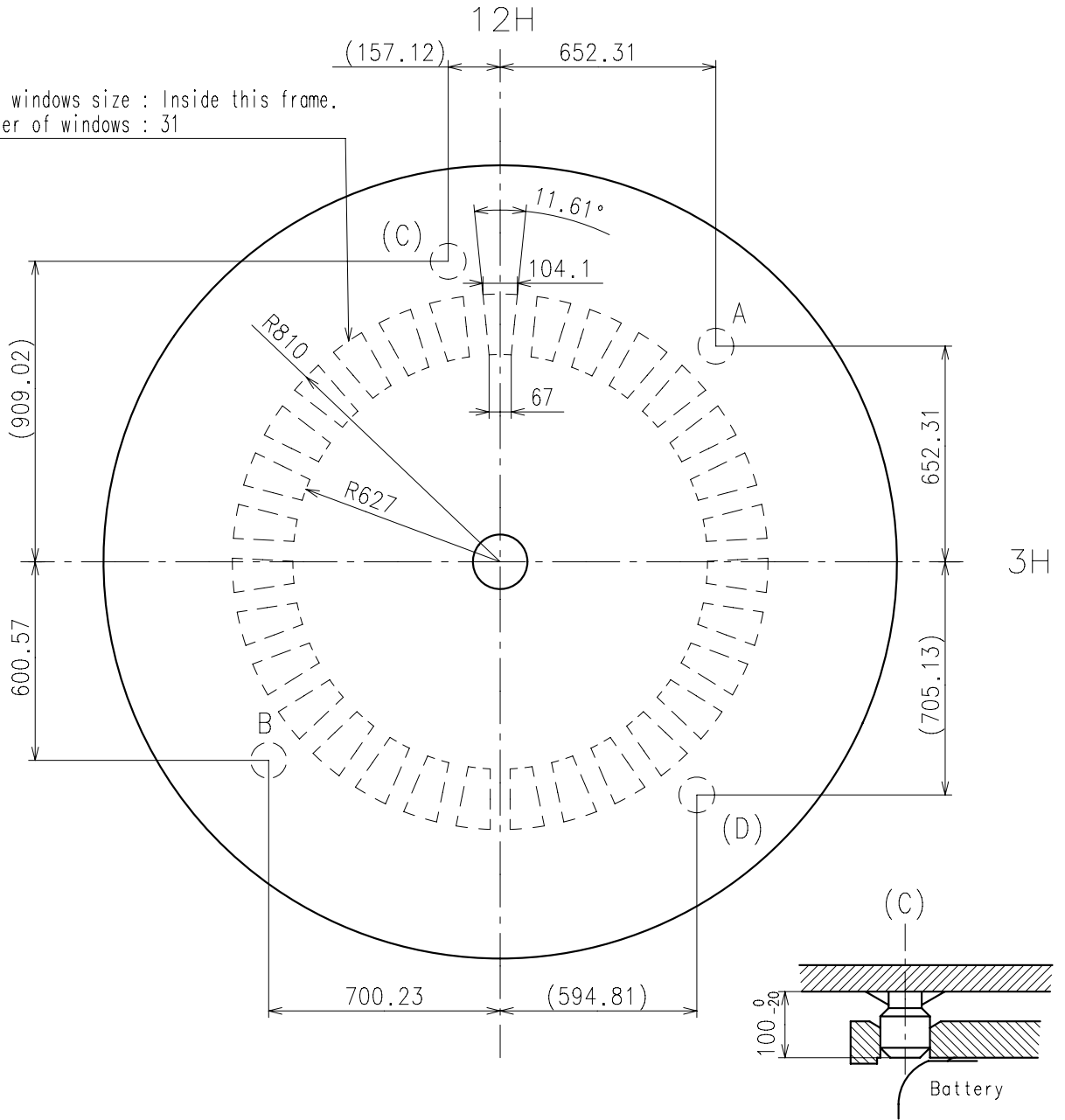
* Use dial leg A-B or (C-D)



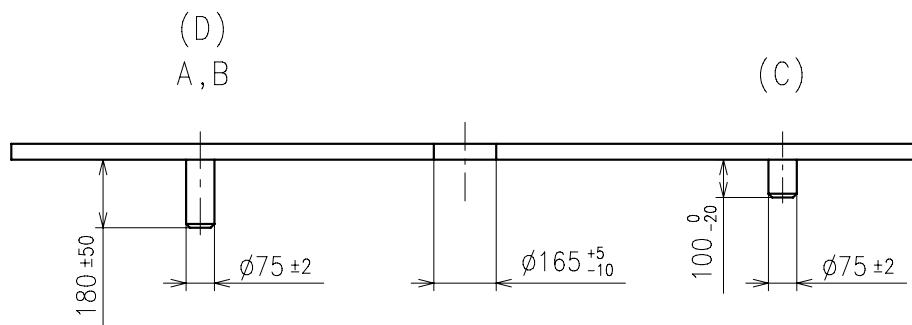
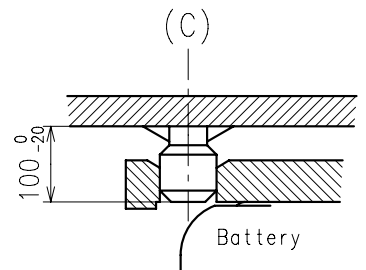
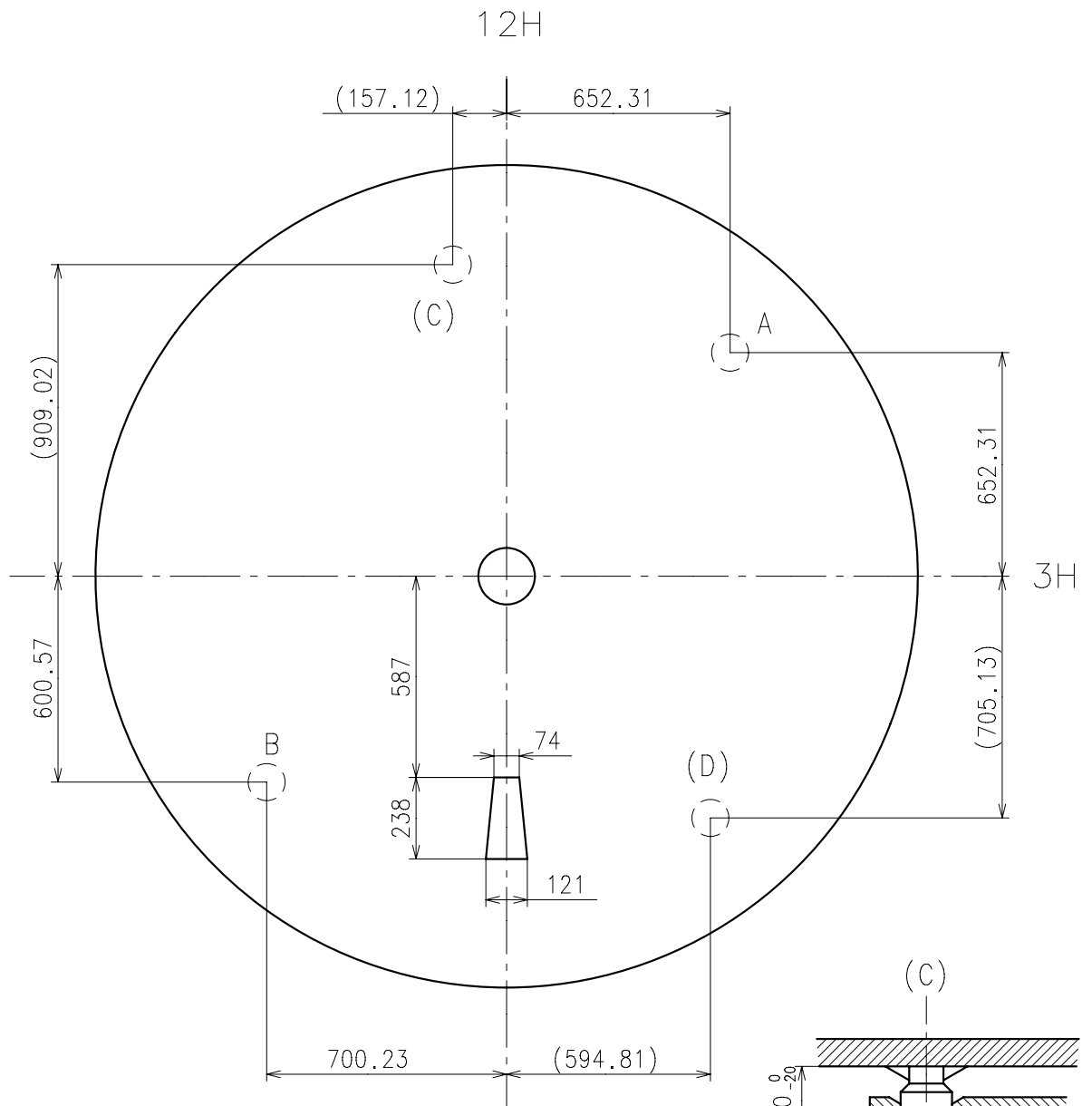
* Use dial leg A-B or (C-D)

Free form of date windows are possible within the [] frame.
(Circle or square and etc.)

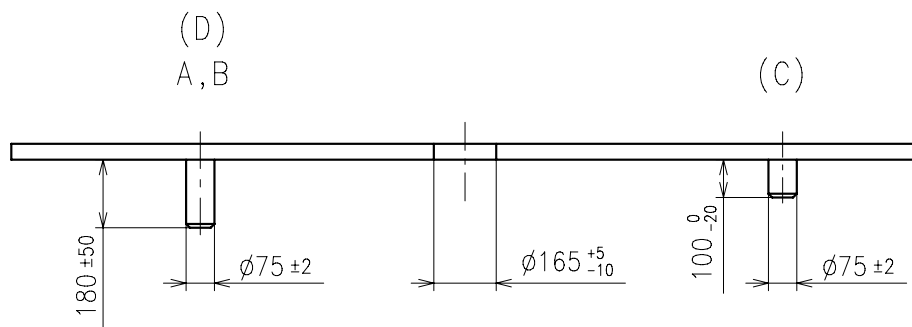
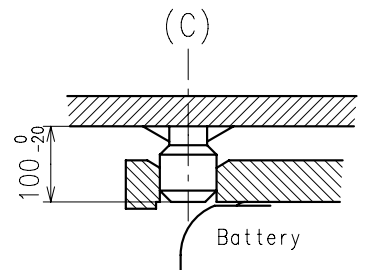
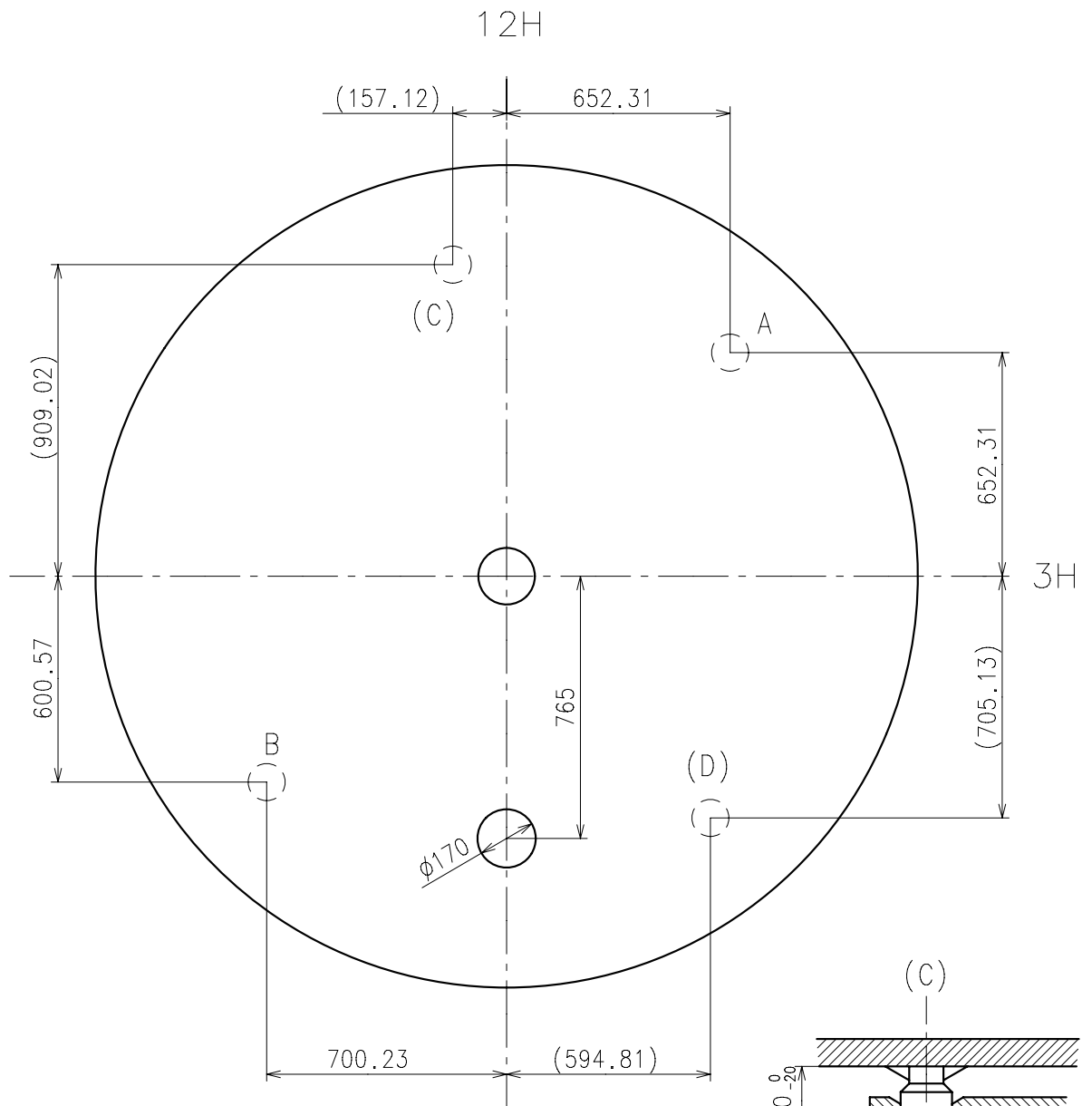
Date windows size : Inside this frame.
Number of windows : 31



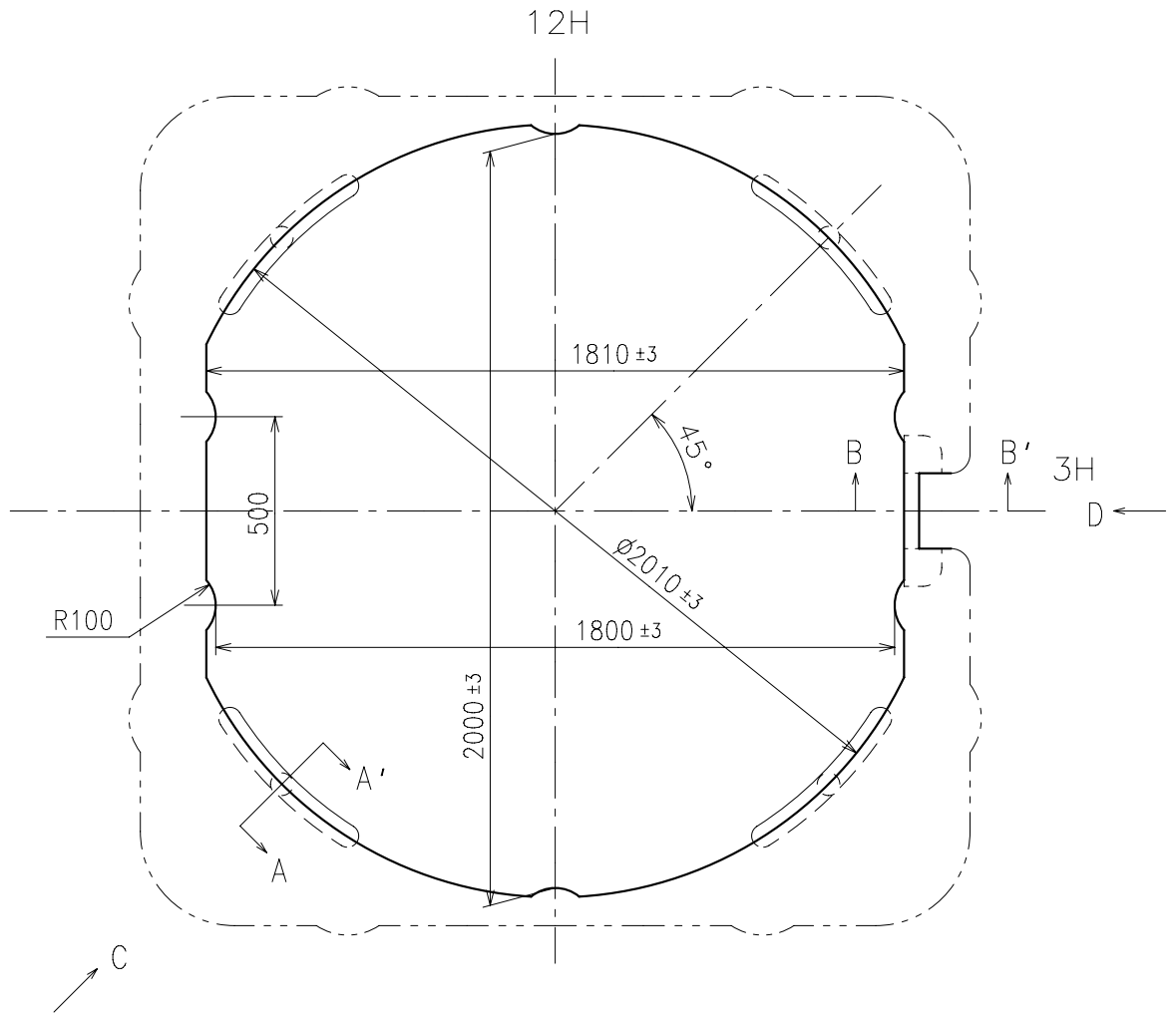
※ Use dial leg A-B or (C-D)



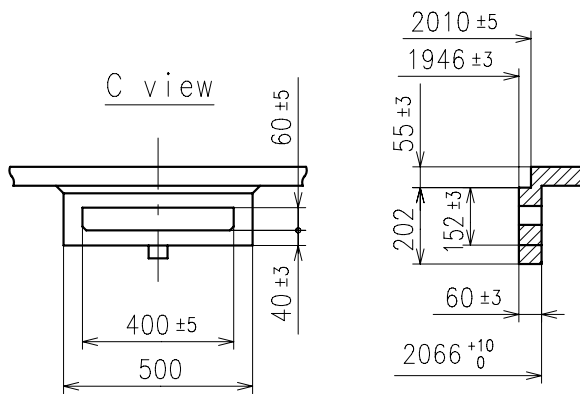
* Use dial leg A-B or (C-D)



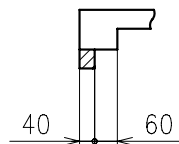
* Use dial leg A-B or (C-D)



A-A' section



B-B' section



D view

